

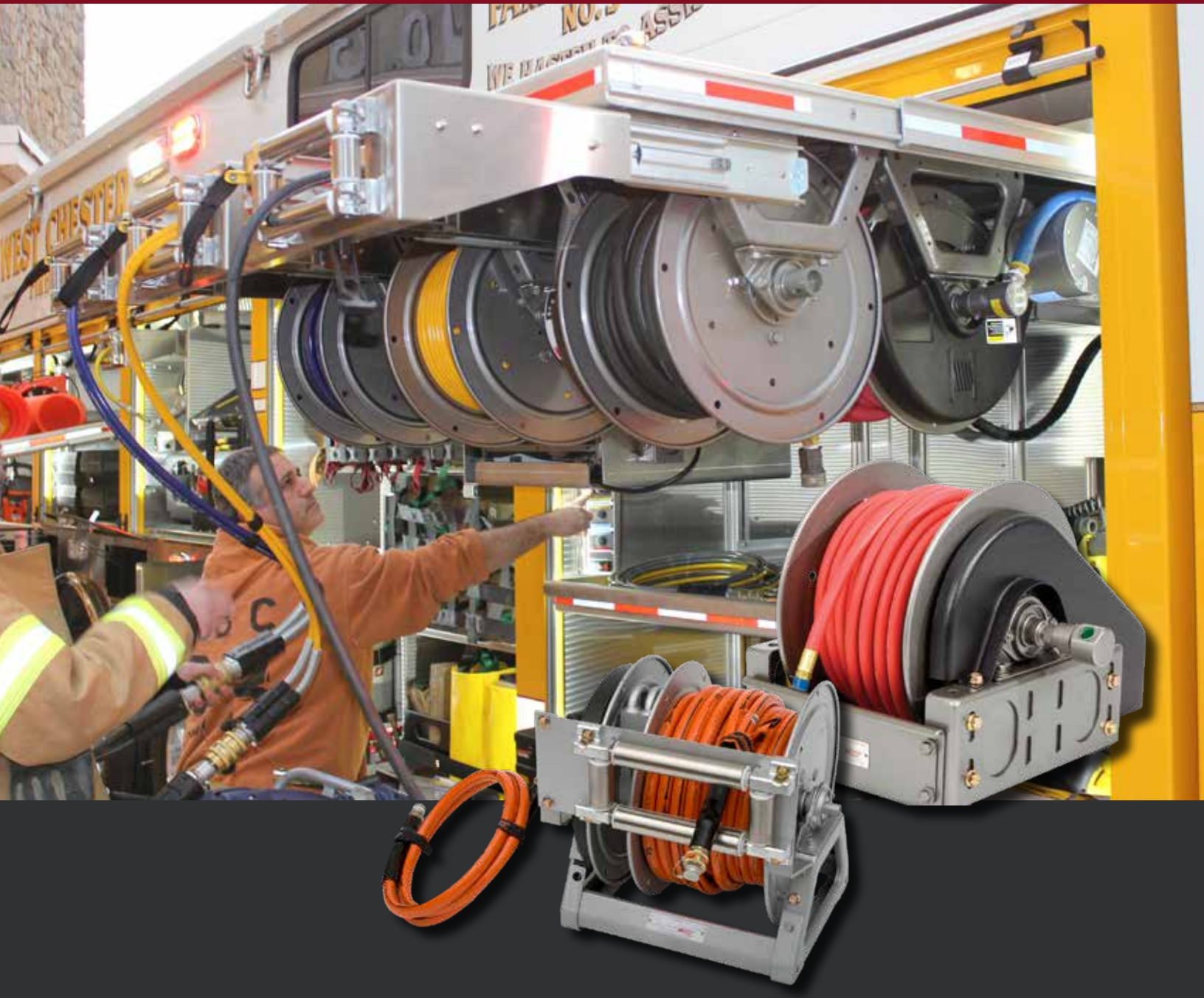
C
10.5"
267



Hannay Reels®
The reel leader.

Rescue Reels

| HazMat Situations | Vehicular Extrications | At-the-scene Emergencies |
| Breathing and Utility Air Applications |



Family owned and operated since 1933

Table of Contents

Reel Type	Page
Power Rewind Twin Rescue Reels (Air, Hydraulic or Cable)	
Series TEF2500	3
Series TEF1500	4
Series TEF1600	5
Manual or Power Rewind Reels for Breathing or Utility Air	
Series F1500	6
Series ELF1500/ESF1500	7
Manual or Power Rewind Reels for Hydraulics/Rescue Tools	
Series F2000	8
Series ELF2000/ESF2000	9
Series EF2200	10
Series EF2500	11
Manual or Power Rewind Reels for Live Electric Cable	
Series CR1600	12
Series ELFCR1600/ESFCR1600	13
Series CR16-14-16	14
Portable Storage Reels	
Series C16-10-11/C20-14-16	15
Spring Rewind Reels for Breathing or Utility Air	
Series FN700	16
Accessories	17
Hannay Reels Sales Policies	18
Hannay Reels Spec Worksheet	19

Hannay Reels. Durable reels you can depend on.

When it's all on the line – Hannay reels are ready when you are. Our ruggedly designed and constructed reels save space on your truck and help make your payout and pickup quicker and easier. All of our reels are built to individual vehicle specs because we know that every truck manufacturer's design is different. Rely on Hannay Reels when you need to deliver big performance in tight spaces.

The rugged **1500 Series** hose reel is ideal for utility air (or breathing air when specified). The **1600 Series** reel handles live electric cable and is invaluable when you need power at the scene of an emergency.

The reels from the **2000, 2200, and 2500 Series** are all dual hose reels unsurpassed in rescue situations that require hydraulic hose for power tools such as cutters, spreaders, or jacks.

Summary of Standard and Optional Features for Rescue Reels

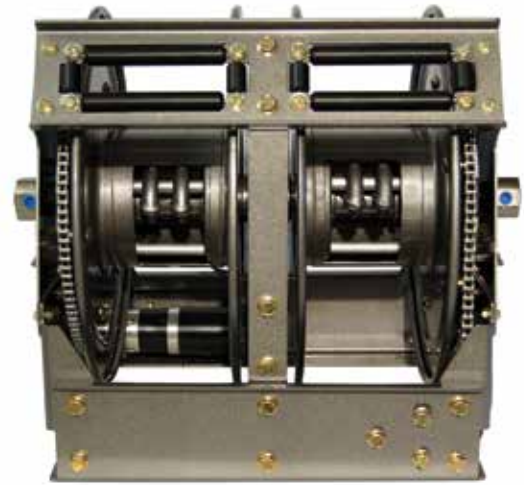
Series EF1500	Series ECR1600	Series EF2000	Series TEF						
<ul style="list-style-type: none"> • 12v motor (with switch, solenoid) • 1/2" FNPT outlet riser • 1/2" FNPT inlet swivel • Utility air service • Steel construction, graphite paint finish 	<ul style="list-style-type: none"> • 12v motor (with switch, solenoid) • 3-conductor slip ring • Steel construction, graphite paint finish 	<ul style="list-style-type: none"> • 12v motor (with switch, solenoid) • Outlet risers provided per specified tool manufacturer • 1/4" FNPT inlet swivel • Steel construction, graphite paint finish 	<ul style="list-style-type: none"> • Chain & sprocket drive with two electric gear motors • Dual spools for two independent operations • Removable chain guard • Steel construction, graphite paint finish 						
<p>Common Options</p> <ul style="list-style-type: none"> • 24v motor (with switch, solenoid) • 3/8" or 1/4" outlet riser • Breathing air service (up to 6000 psi with stainless steel internals) • Polished stainless steel/chrome finish • Hose guide rollers • Hose and hose stop installed 	<p>Common Options</p> <ul style="list-style-type: none"> • 24v motor (with switch, solenoid) • 4-conductor or higher slip ring • Polished stainless steel/chrome finish • Cable guide rollers • Cable, plug, and cable stop installed 	<p>Common Options</p> <ul style="list-style-type: none"> • 24v motor (with switch, solenoid) • Polished stainless steel/chrome finish • Hose guide rollers • Twin hose and hose stop installed 	<p>Common Options</p> <ul style="list-style-type: none"> • Hose/cable guide rollers with adjustable positions • TEF2500 outlet risers provided per specified tool manufacturer • TEF1600 3-conductor slip ring standard, 4-conductor or higher optional • TEF1500 utility air standard, breathing air service (up to 6000 psi with stainless steel internals) 						
<p>Model Prefixes</p> <ul style="list-style-type: none"> • EF Standard frame, utility air • EFL Standard frame, low pressure breathing air • EFH Standard frame, high pressure breathing air • ELF Low height, utility air • ELFL Low height, low pressure breathing air • ELFH Low height, high pressure breathing air • ESF Minimized depth, utility air • ESFL Minimized depth, low pressure breathing air • ESFH Minimized depth, high pressure breathing air 	<p>Model Prefixes</p> <ul style="list-style-type: none"> • ECR Standard frame, live cord • ELFCR Low height, live cord • ESFCR Minimized depth, live cord 	<p>Model Prefixes</p> <ul style="list-style-type: none"> • EF2000 Standard frame, twin hydraulic • ELF2000 Low height, twin hydraulic • ESF2000 Minimized depth, twin hydraulic • EF2200 Holmatro CORE hose only • EF2500 Narrow frame, twin hydraulic 	<p>Model Prefixes</p> <ul style="list-style-type: none"> • TEF2500 Dual spools, twin hydraulic • TEF1600 Dual spools, electric cable • TEF1500 Dual spools, pneumatic <p>Can be built in any combination. See pages 3, 4 & 5 or consult factory for specifications and quote.</p>						
<p>Mounting Hole Sizes</p> <table border="1"> <tbody> <tr> <td>N Series Reels</td> <td>7/16" wide x 7/8" long slot running front to back</td> </tr> <tr> <td>Pressed Frame Reels and Channel Framed Reels</td> <td>7/16" wide x 7/8" long slot running left to right</td> </tr> <tr> <td>Series 1500, 1600, 2000</td> <td>13/32" round holes</td> </tr> </tbody> </table>				N Series Reels	7/16" wide x 7/8" long slot running front to back	Pressed Frame Reels and Channel Framed Reels	7/16" wide x 7/8" long slot running left to right	Series 1500, 1600, 2000	13/32" round holes
N Series Reels	7/16" wide x 7/8" long slot running front to back								
Pressed Frame Reels and Channel Framed Reels	7/16" wide x 7/8" long slot running left to right								
Series 1500, 1600, 2000	13/32" round holes								

Series TEF2500

• Power Rescue Tools • Hydraulics

To handle dual hydraulic 1/4" I.D. hose.

- Chain and sprocket drive powered by an electric gear motor.
- Standard inlets: Two 90° dual passage swivel joints with 1/4" female NPT threads.
- Standard outlets: Rescue tool manufacturer must be specified to determine threads and packing material required.
- Pressures to 10,500 psi (724 bar).
- Standard fluid temperatures from -40° F to +250 °F (-40° C to +121° C). Optional temperature ratings available - consult factory.
- Dual spools to operate 2 independent hydraulic rescue tools.
- Removable chain guard for added safety and easy maintenance.
- Optional 4-way rollers and mounting brackets available with adjustable positions including: forward-facing, vertically-facing and 30° angle.



Standard configuration shown with optional rollers in Bumper Mount position



Optional 4-way Rollers with adjustable positions available, see available roller positions below. Consult factory for specifications.

Model Number	Hose Capacity of Reel feet m		Approx. Weight lb. kg		Reel Dimensions*** in. mm			
	I.D. in. mm	1/4 6	NET	SHIP	A	B	F	X
TEF2516-17-18	O.D. in. mm	17/32 13.5					21.25 540	8 203
		2/100 2/30	95 43	110* 50				

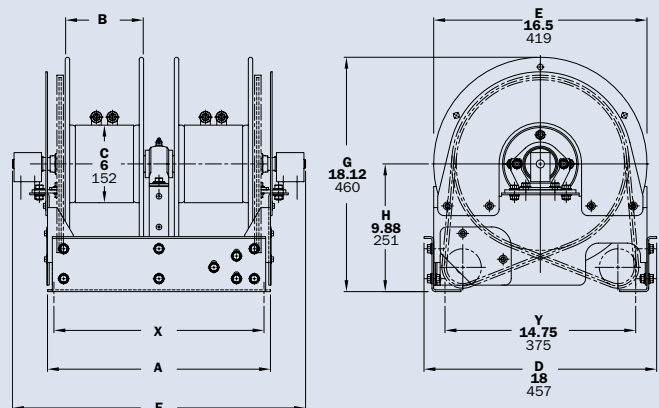
Notes:

1. Specifications subject to change.
2. **Be sure to check dimensions and weights prior to ordering.**

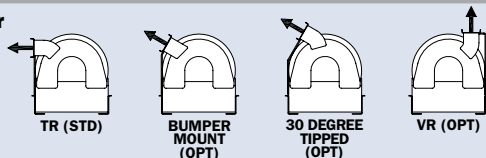
NOTICE: A flexible connector must be used between the inlet pipe and the inlet swivel joint.

* Dimensional weight may apply when shipped as a parcel package (via FedEx or UPS Ground).

*** X, Y indicate mounting holes. See page 2.



Available Roller Positions



Series TEF reels can be built in any combination of hydraulic, air or electric cable applications. Refer to additional TEF Series reels on pages 4 & 5. Consult factory for specifications and a quote.

Series TEF1500

• Power Rescue Tools • Utility or Breathing Air

To handle single 1/4", 3/8", and 1/2" I.D. hose.

- Chain and sprocket drive powered by an electric gear motor.
- **Standard inlet: 90° ball bearing swivel joint, 1/2" female NPT threads.
- **Standard outlet: 1/2" female NPT threads.
Other sizes and threads can be furnished and must be specified.
- Available for Low PSI breathing air to 3000 psi (207 bar) and High PSI breathing air to 6000 psi (414 bar). See Notes 3 & 4 below for model and dimension specifications.
- Standard fluid temperatures from -15° F to +250 °F (-26° C to +121° C). Optional temperature ratings available - consult factory
- Dual spools to operate 2 independent air hoses.
- Removable chain guard for added safety and easy maintenance.
- Optional 4-way rollers and mounting brackets available with adjustable positions including: forward-facing, vertically-facing and 30° angle.



Standard configuration shown with optional rollers in 30 Degree Tipped position



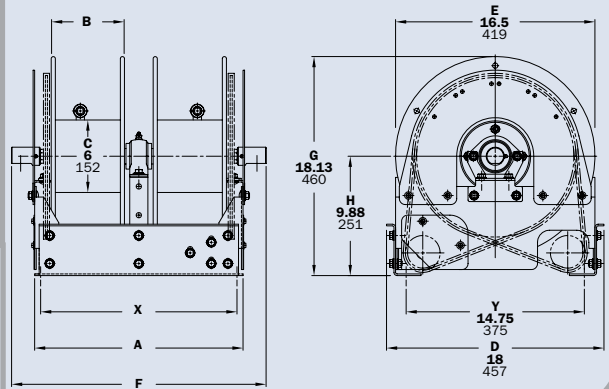
Optional 4-way Rollers with adjustable positions available, see available roller positions below. Consult factory for specifications.

Model Number	Hose Capacity of Reel feet m						Approx. Weight lb. kg		Reel Dimensions*** in. mm			
	HP = High pressure breathing air hose						NET	SHIP	A	B	F	X
	I.D. in. mm	1/4 6		3/8 10		1/2 13						
O.D. in. mm	5/8 16	1/2 HP 13 HP	3/4 19	21/32 HP 17 HP	7/8 22							
TEF1514-17-18	175	300	125	175	75	88	109*	17.25	6	21	16.25	
	53	91	38	53	23	40	49	438	152	533	413	
TEF1516-17-18	250	400	175	250	125	93	108*	21.25	8	25	20.25	
	76	122	53	76	38	42	49	540	203	635	514	
TEF1520-17-18	350	600	275	400	175	103	118*	29.25	12	33	28.25	
	107	183	84	122	53	47	54	743	305	838	718	

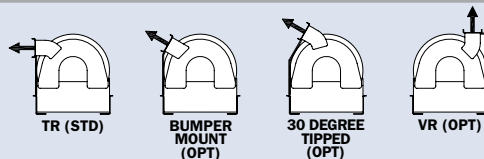
Notes:

1. Specifications subject to change.
2. For Low PSI breathing air to 3000 psi (207 bar), prefix model number with "TEFL" and add 3/8" to F dimension for **each** spool.
3. For High PSI breathing air to 6000 psi (414 bar), prefix model number with "TEFH" and add 1" to F dimension for **each** spool.
4. **Be sure to check dimensions and weights prior to ordering.**

NOTICE: A flexible connector must be used between the inlet pipe and the inlet swivel joint.
 * Dimensional weight applies when shipped as a parcel package (via FedEx or UPS Ground).
 ** Stainless steel internals are required for breathing air applications.
 *** X, Y indicate mounting holes. See page 2.



Available Roller Positions



Series TEF reels can be built in any combination of hydraulic, air or electric cable applications. Refer to additional TEF Series reels on pages 3 & 5. Consult factory for specifications and a quote.

Series TEF1600

• Power Rescue Tools • Electric Cable

To handle live electric cable.

- Chain and sprocket drive powered by an electric gear motor.
- 3-conductor, 30-amp collector assembly with #10 gauge wiring.
- Optional 4-conductor available, must specify.
- Dual spools to operate 2 independent electric power tools.
- Removable chain guard for added safety and easy maintenance.
- Optional 4-way rollers and mounting brackets available with adjustable positions including: forward-facing, vertically-facing and 30° angle.



Optional 4-way Rollers with adjustable positions available, see available roller positions below. Consult factory for specifications.



Standard configuration shown with optional rollers in 30 Degree Tipped position

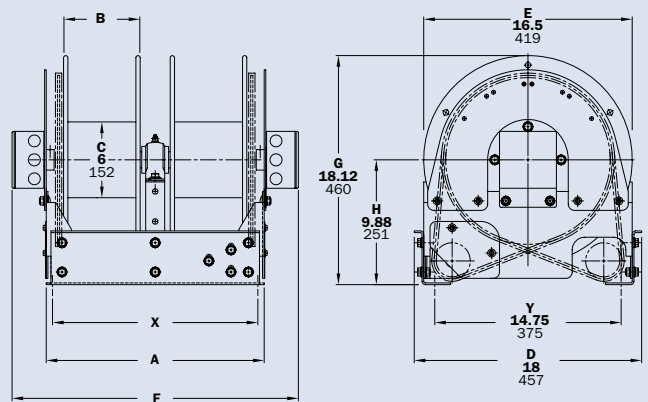
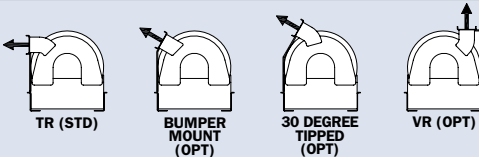
Model Number	Cable Capacity of Reel feet m					Approx. Weight lb. kg		Reel Dimensions*** in. mm			
	O.D. in O.D. mm	Ga./No. of Conductors				NET	SHIP	A	B	F	X
		12/3	10/3	12/4	10/4						
TEF1614-17-18	175	100	---	---	87	102*	17.25	6	22.63	16.25	
	53	30	---	---	39	46	438	152	575	413	
TEF1616-17-18	200	150	150	150	92	107*	21.25	8	26.63	20.25	
	61	46	46	46	42	48	540	203	676	514	
TEF1618-17-18	275	200	200	200	97	112*	25.25	10	30.63	24.25	
	84	61	61	61	44	51	641	254	778	616	
TEF1620-17-18	350	250	250	225	102	117*	29.25	12	34.63	28.25	
	107	76	76	69	46	53	743	305	880	718	
TEF1622-17-18	400	300	300	275	107	122*	33.25	14	38.63	32.25	
	122	91	91	84	49	55	845	356	981	819	

Notes:

1. Specifications subject to change.
2. Be sure to check dimensions and weights prior to ordering.

* Dimensional weight applies when shipped as a parcel package (via FedEx or UPS Ground).
 *** X, Y indicate mounting holes. See page 2.

Available Roller Positions



Series TEF reels can be built in any combination of hydraulic, air or electric cable applications. Refer to additional TEF Series reels on pages 3 & 4. Consult factory for specifications and a quote.

Series **F1500**

• **Utility Air or Breathing Air Hose**

To handle single 1/4", 3/8", and 1/2" I.D. hose.

- Lightweight, compact reels designed for long lengths of hose in manual and power rewind.
- Manual rewind reels include: cam-lock drag brake, spring actuated pin lock and direct crank rewind.
- Power rewind reels include: chain and sprocket drive powered by electric, hydraulic or air motor.
- ** Standard inlet: 90° ball bearing swivel joint, 1/2" female NPT threads.
- ** Standard outlet: 1/2" female NPT threads. Other sizes and threads can be furnished and must be specified.
- Roller and roller mounting brackets are accessory items. Specify roller position.
- F and FL1500 reels: pressures to 3000 psi (207 bar).
- FH1500 reels: pressures up to 6000 psi (414 bar).
- Standard fluid temperatures from -15° F to +250° F (-26° C to +121° C). Optional temperature ratings available - consult factory.



Standard configuration shown with Electric Rewind (E) option and optional hose package



Optional External Mounting Brackets

Part No. 9906.0027.
Add 2-1/2" to the X dimensions shown in the chart.

PARTS DRAWING – ISO 90

Model Number For power rewind see Note 4	Hose Capacity of Reel feet m HP = High pressure breathing air hose					Approx. Weight Crank Rewind lb. kg		Reel Dimensions*** in. mm								
	I.D. in. mm	1/4 6		3/8 10		1/2 13		NET	SHIP	A	B	E CRANK	E POWER	F CRANK	F POWER	X
	O.D. in. mm	5/8 16	1/2 HP 13 HP	3/4 19	21/32 HP 17 HP	7/8 22										
F1514-17-18	175	300	125	175	75	27	65*	11	6	17.5	19	19.25	17	9.5		
	53	91	38	53	23	12	30	279	152	445	483	489	432	241		
F1516-17-18	250	400	175	250	125	28	68*	13	8	17.5	19	21.25	19	11.5		
	76	122	53	76	38	13	31	330	203	445	483	540	483	292		
F1520-17-18	350	600	275	400	175	29	80*	17	12	17.5	19	25.25	23	15.5		
	107	183	84	122	53	13	36	432	305	419	483	641	584	394		

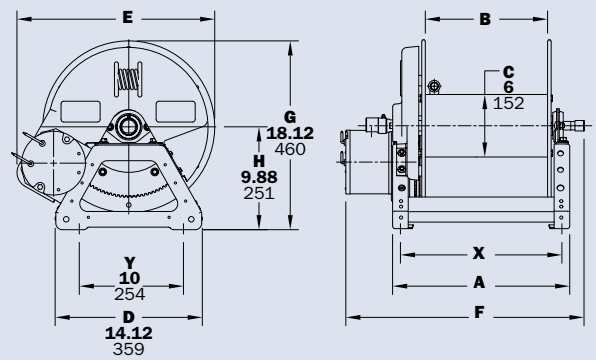
Notes:

1. Specifications subject to change.
2. Upon request, reels can be supplied with drum lengths other than shown and with disc sizes in other diameters.
3. Weights shown in chart are for manual rewind models. Add these amounts for power rewind models (does not apply to FedEx or UPS):

	Net lbs/kg	Ship lbs/kg
Electric	18/8.2	18/8.2
Air	15/6.8	15/6.8
4. When ordering power rewind models, prefix model number with:
 - A** = Air Rewind
 - E** = Electric Rewind
 (Air rewind reels are supplied with control valve and 18" air hose; 12v and 24v DC rewind reels are supplied with switch and solenoid.)

- FH1500** = High Pressure Breathing Air Cascade Systems
For example: **EFL1514-17-18**=Electric Rewind, Low Pressure Breathing Air.
6. Add 2-1/2" to "E" dimension and 1/2" to "G" dimension with assembly "C" roller installed in top wind (TR) position.
 7. Manual rewind available in RT or LB configurations only.
 8. **Be sure to check dimensions and weights prior to ordering.**
 9. Some roller options may prohibit the use of our molded chain guard.

NOTICE: A flexible connector must be used between the inlet pipe and the inlet swivel joint.
* Dimensional weight applies when shipped as a parcel package (via FedEx or UPS Ground).
** Stainless steel internals are required for breathing air applications.
*** X, Y indicate mounting holes. See page 2.



Series **ELF1500/ESF1500**

• Utility Air or Breathing Air Hose

To handle 1/4", 3/8", and 1/2" I.D. hose.

- Chain and sprocket drive powered by an electric gear motor.
- ** Standard inlet: 90° swivel joint with 1/2" female NPT threads.
- ** Standard outlet: 1/2" female NPT thread.
- Other sizes/threads can be furnished and must be specified.
- ELF and ESF1500 reels: pressures to 3000 psi (207 bar).
- ELFL and ESFL1500 reels: pressures to 3000 psi (207 bar).
- ELFH and ESFH1500 reels: pressures to 6000 psi (414 bar).
- Standard fluid temperatures from -40° F to +250 °F (-40° C to +121° C). Optional temperature ratings available - consult factory.



◀ **ELFH1500 shown**
Choose an ELF model when **height** of reel must be minimized

ESFH1500 shown ▶
Choose an ESF model when **depth** of reel must be minimized

PARTS DRAWING – ELF1500 - ISO 227; ESF1500 - ISO 228

Model Number	Hose Capacity of Reel feet m						Approx. Weight power rewind lb. kg		Reel Dimensions*** in. mm									
	HP = High pressure breathing air hose						NET	SHIP	A	B	C	D	E	F	G	H	X	Y
	I.D. in. mm	1/4 6	3/8 10	1/2 13	5/8 16	1/2 HP 13 HP												
ELF1514-14-16	100	175	75	100	50	39	65*	11.5	6	6	15.5	20	15.25	14.5	7.5	5.75	11.75	
	31	53	23	30	15	18	30	292	152	152	394	508	386	368	191	146	298	
ELF1516-14-16	150	250	100	150	75	41	65*	13.5	8	6	15.5	20	17.25	14.5	7.5	7.75	11.75	
	46	76	31	46	23	19	30	343	203	152	394	508	437	368	191	197	298	
ELF1520-14-16	225	400	175	200	100	45	80*	17.5	12	6	15.5	20	21.25	14.5	7.5	9	11.75	
	69	122	53	61	31	20	36	445	305	152	394	508	538	368	191	229	298	
ESF1514-14-16	100	175	75	100	50	42	58*	11.63	6	6	11.5	14	15.25	20.5	13.5	5.75	7.75	
	31	53	23	30	15	19	26	295	152	152	292	356	386	521	343	146	197	
ESF1516-14-16	150	250	100	150	75	44	58*	13.63	8	6	11.5	14	17.25	20.5	13.5	7.75	7.75	
	46	76	31	46	23	20	26	346	203	152	292	356	437	521	343	197	197	
ESF1520-14-16	225	400	175	200	100	48	65*	17.63	12	6	11.5	14	21.25	20.5	13.5	9	7.75	
	69	122	53	61	31	22	30	448	305	152	292	356	538	521	343	229	197	

Notes:

1. Specifications subject to change.
2. Upon request, reels can be supplied with drum lengths other than shown.
3. 12v and 24v DC rewind reels supplied with switch and circuit breaker.

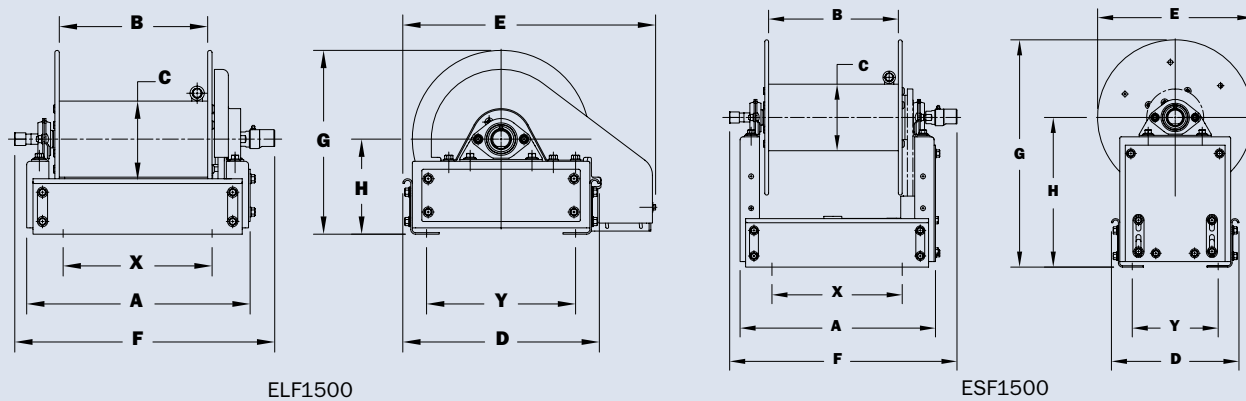
4. Model Designations:
ELF or ESF = Utility Air Applications
ELFL or ESFL = Low Pressure Breathing Air Applications
ELFH or ESFH = High Pressure Breathing Air Cascade Systems
5. **Be sure to check dimensions and weights prior to ordering.**

NOTICE: A flexible connector must be used between the inlet pipe and the inlet swivel joint.

* Dimensional weight applies when shipped as a parcel package (via FedEx or UPS Ground).

** Stainless steel internals are required for breathing air applications.

*** X, Y indicate mounting holes. See page 2.



Series **F2000** | Dual Hose

• **Power Rescue Tools** • **Hydraulics**

To handle dual 1/4" I.D. hose.

- Two swivel joint inlets and two outlet risers to handle two equal lengths of hose.
- Manual disc rewind or chain and sprocket rewind powered by an electric or compressed air motor.
- Adjustable cam-lock brake on disc rewind models is standard.
- Power rewind reels are not supplied with a brake. Optional drag brake is available. Add 3/4" to the "F" dimension shown in the chart.
- Standard inlets: 90° swivel joints, 1/4" female NPT threads.
- Standard outlets: Rescue tool manufacturer must be specified to determine threads and packing material required.
- Pressures to 10,500 psi (724 bar).
- Standard fluid temperatures from -40° F to +250 °F (-40° C to +121° C). Optional temperature ratings available - consult factory.
- Rollers and roller mounting brackets are accessory items. Specify roller position.
- Polished stainless steel discs and sprocket with chrome frame are available, consult factory.



Standard configuration shown with Electric Rewind (E) option



Optional External Mounting Brackets

Part No. 9906.0027.
Add 2-1/2" to the X dimensions shown in the chart.

Carrying handles optional.
(Add 2 inches to "G" dimension)
Part No. 9955.0023



PARTS DRAWING – ISO 101

Model Number For power rewind see Note 4	Hose Capacity of Reel feet m NOTE: 1 inch = 25.4 mm		Approx. Weight Disc Rewind lb. kg		Reel Dimensions*** in. mm						
	I.D. in. mm	1/4 6	NET	SHIP	A	B	E DISC	E POWER	F** DISC	F** POWER	X
	O.D. in. mm	.53 13.5									
F2016-17-18		2/100	32	80*	13	8	16.5	19	16.38	18.88	11.5
		2/31	15	36	330	203	419	483	416	480	292
F2020-17-18		2/200	34	98*	17	12	16.5	19	20.38	22.88	15.5
		2/61	15	45	432	305	419	483	518	581	394

Notes:

1. Specifications subject to change.
2. Upon request, reels can be supplied with drum lengths other than shown and with disc sizes in other diameters.
3. Weights shown in chart are for manual rewind models. Add these amounts for power rewind models (does not apply to FedEx or UPS):

	Net lbs/kg	Ship lbs/kg
Electric	18/8.2	18/8.2
Air	15/6.8	15/6.8

4. When ordering power rewind models, prefix model number with:
 - A** = Air Rewind
 - E** = Electric Rewind
 (Air rewind reels are supplied with control valve and 18" hose; 12v and 24v DC rewind reels are supplied with switch and solenoid.)

5. Add 2-1/2" to "E" dimension and 1/2" to "G" dimension with assembly "C" roller installed in top wind (TR) position.

6. **Be sure to check dimensions and weights prior to ordering.**

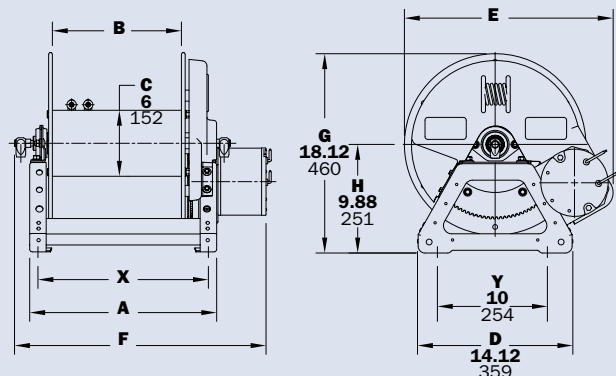
7. Some roller options may prohibit the use of our molded chain guard.

NOTICE: A flexible connector must be used between the inlet pipe and the inlet swivel joint.

* Dimensional weight applies when shipped as a parcel package (via FedEx or UPS Ground).

** Swivel joints required for Hurst Systems increase the "F" dimension. Add 3/8" for power rewind and 3/4" for disc rewind.

*** X, Y indicate mounting holes. See page 2.



Dual
Hose

Series **ELF2000/ESF2000**

• Power Rescue Tools • Hydraulics

To handle dual hydraulic 1/4" I.D. hose.

- Chain and sprocket drive powered by an electric gear motor.
- Standard inlets: 90° swivel joints, 1/4" female NPT threads.
- Standard outlets: Rescue tool manufacturer must be specified to determine threads and packing material required.
- Standard pressures to 10,500 psi (724 bar).
- Standard fluid temperatures from -40° F to +250° F (-40° C to +121° C). Optional temperature ratings available - consult factory.



ELF2000 shown
Choose an ELF model when **height** of reel must be minimized



ESF2000 shown
Choose an ESF model when **depth** of reel must be minimized

PARTS DRAWING – ELF2000 - ISO 227; ESF2000 - ISO 228

Model Number	Hose Capacity of Reel feet m		Approx. Weight Power Rewind lb. kg		Reel Dimensions*** in. mm									
	I.D. in. mm	1/4 6	NET	SHIP	A	B	C	D	E	F**	G	H	X	Y
	O.D. in. mm	17/32 13.5												
ELF2018-14-16	2/100	45	65*	15.5	10	6	15.5	20	18.12	14.5	7.5	7	11.75	
	2/31	20	30	394	254	152	394	508	460	368	191	178	298	
ESF2018-14-16	2/100	49	65*	15.63	10	6	11.5	14	18.12	20.5	13.5	7	7.75	
	2/31	22	30	397	254	152	292	356	460	521	343	178	197	

Notes:

1. Specifications subject to change.
2. Upon request, reels can be supplied with drum lengths other than shown.
3. 12v and 24v DC rewind reels supplied with switch and circuit breaker.

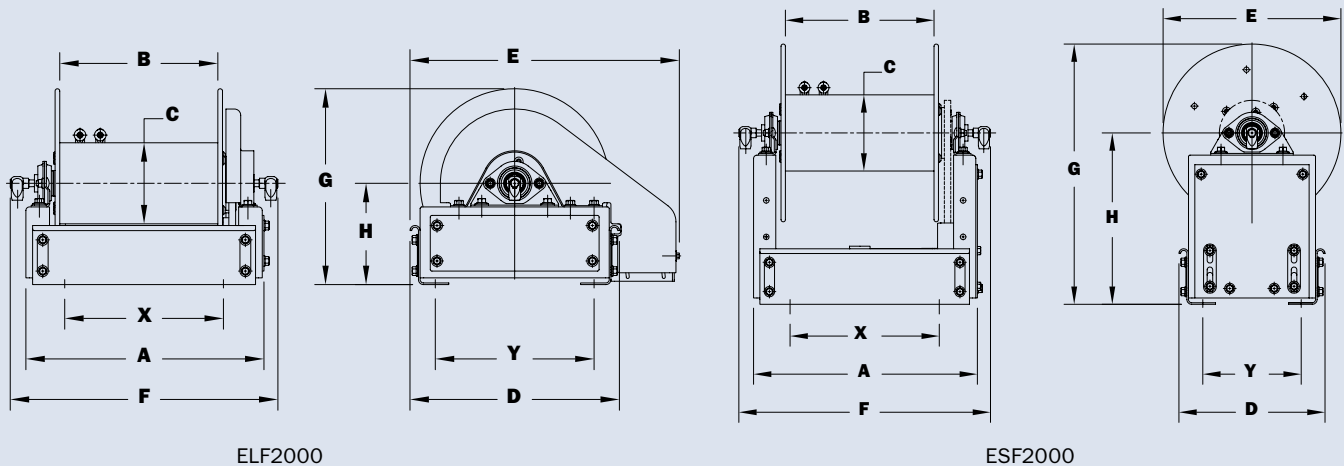
4. Be sure to check dimensions and weights prior to ordering.

NOTICE: A flexible connector must be used between the inlet pipe and the inlet swivel joint.

* Dimensional weight applies when shipped as a parcel package (via FedEx or UPS Ground).

** Swivel joints required for Hurst Systems increase the "F" dimension. Add 3/8" for power rewind and 3/4" for disc rewind.

*** X, Y indicate mounting holes. See page 2.



Series **EF2200** | Dual Hose

• For **CORE™** Hydraulic Dual Hose Rescue Tools

To handle hydraulic Holmatro CORE Technology™ coaxial twin hose.

- Lighter weight hose and single fitting connection when compared with traditional rescue tool hose.
- Chain and sprocket drive powered by an electric motor.
- Adjustable spring drag brake standard on all models.
- CORE Technology™ swivel joint inlet and fluid path.
- Optional factory installed 4-way roller guide available.
- Standard pressures to 10,500 psi (724 bar).
- Standard fluid temperatures from -30°F to +225°F (-34°C to +107°C).
- Divider disc separates hose from adapter block outlet.
- Optional polished stainless steel discs and sprocket with chrome frame.



Left top shown
Lead-in hose is optional



Optional External Mounting Brackets

Part No. 9906.0027.
Add 2-1/2" to the X dimensions shown in the chart.



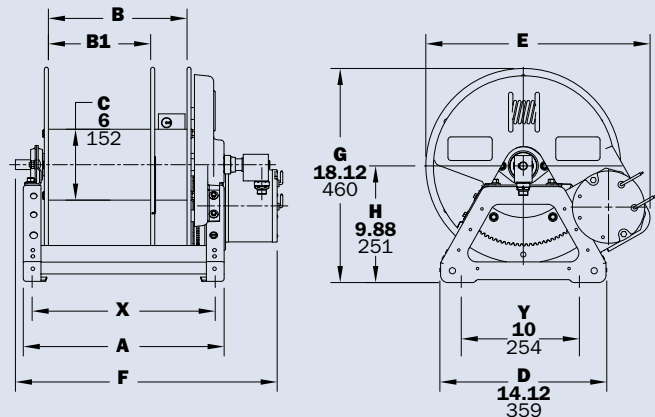
Optional roller assembly C2 shown

PARTS DRAWING – ISO 217

Model Number	Hose Capacity of Reel feet m		Approx. Weight lb. kg		Reel Dimensions*** in. mm					
	CORE Technology™ Coaxial Hose		NET	SHIP	A	B	B1	E	F	X
	O.D. in. mm	7/8 22								
EF2216-17-18	1/60	1/18	87	122	13	8	5	19	18.25	11.5
			39	55	330	203	127	483	464	292
EF2220-17-18	1/100	1/31	89	124	17	12	9	19	22.25	15.5
			40	56	432	305	229	483	565	394

Notes:

1. Specifications subject to change.
 2. Electric rewind models available in either 12v or 24v DC. Reels supplied with switch and solenoid.
 3. Add 2-1/2" to "E" dimension and 1/2" to "G" dimension with assembly "C2" roller installed in top wind position.
 4. **Be sure to check all dimensions and weights prior to ordering. Must specify right- or left-hand configurations.**
 5. Above reels cannot be shipped via UPS or FedEx Ground.
 6. Some roller options may prohibit the use of our molded chain guard.
- *** X, Y indicate mounting holes. See page 2.



Right top configuration shown

Dual
Hose

Series EF2500

• Power Rescue Tools • Hydraulics

To handle dual hydraulic 1/4" I.D. hose.

- Chain and sprocket drive powered by an electric motor.
- Standard inlets: 90° swivel joints, 1/4" female NPT threads.
- Standard outlets: Rescue tool manufacturer must be specified to determine threads and packing material required.
- Standard pressures to 10,500 psi (724 bar).
- Standard fluid temperatures from -40° F to +250 °F (-40° C to +121° C). Optional temperature ratings available - consult factory.



Front view

Rear view

PARTS DRAWING – ISO 225

Model Number	Hose Capacity of Reel		Approx. Weight		Reel Dimensions***			
	feet m		lb. kg		in. mm			
	I.D. in. mm	1/4 6	NET	SHIP	A	B	F**	X
EF2516-17-18	O.D. in. mm	17/32 13.5						
			59	80*	11.5	8	12	6
			27	36	292	203	305	152

Notes:

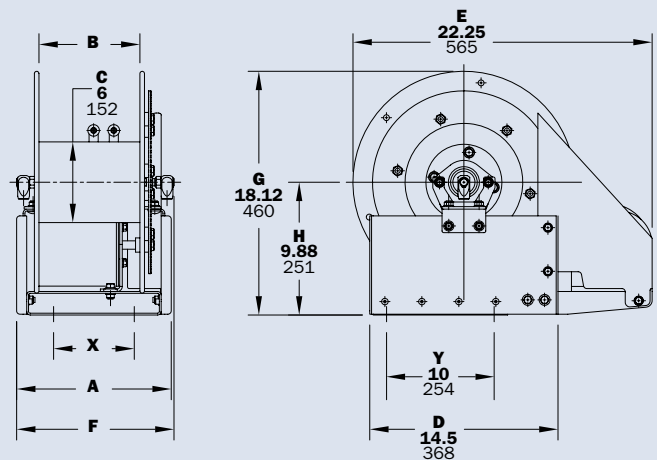
1. Specifications subject to change.
2. Electric rewind models available in either 12v or 24v DC.
3. Reels supplied with switch and solenoid.
4. **Be sure to check dimensions and weights prior to ordering.**

NOTICE: A flexible connector must be used between the inlet pipe and the inlet swivel joint.

* Dimensional weight may apply when shipped as a parcel package (via FedEx or UPS Ground).

** Swivel joints required for Hurst Systems increase the "F" dimension, add 3/4".

*** X, Y indicate mounting holes. See page 2.



Series **CR1600**

• Electric Cable • On-site Power

To handle live electric cable.

- Choose removable crank rewind or chain and sprocket drive powered by an electric or compressed air motor.
- Adjustable cam-lock brake on crank rewind models.
- Optional strap brake available on power rewind models.
- 3-conductor, 45-amp collector assembly with #8 gauge wiring.
- Consult factory for additional conductors available at extra cost.
- Rollers and roller mounting brackets are accessory items. Specify roller position.



Standard configuration shown with Electric Rewind (E) option and optional cable package

PARTS DRAWING – ISO 76

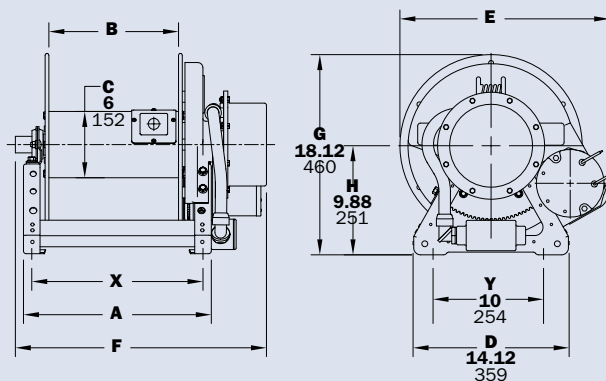
Model Number	Cable Capacity of Reel feet m					Approx. Weight Crank Rewind lb. kg		Reel Dimensions*** in. mm						
	O.D. in O.D. mm	Ga./No. of Conductors				NET	SHIP	A	B	E CRANK	E POWER	F CRANK	F POWER	X
		12/3	10/3	12/4	10/4									
CR1614-17-18	175	100	100	100	30	65*	11	6	16.5	19	23	16.75	9.5	
	53	30	30	30	14	30	279	152	419	483	584	425	241	
CR1616-17-18	200	150	150	150	32	68*	13	8	16.5	19	25	18.75	11.5	
	61	46	46	46	15	31	330	203	419	483	635	476	292	
CR1618-17-18	275	200	200	200	33	80*	15	10	16.5	19	27	20.75	13.5	
	84	61	61	61	15	36	381	254	419	483	686	527	343	
CR1620-17-18	350	250	250	225	34	80*	17	12	16.5	19	29	22.75	15.5	
	107	76	76	69	15	36	432	305	419	483	737	578	394	
CR1622-17-18	400	300	300	275	35	98*	19	14	16.5	19	31	27.5	17.5	
	122	91	91	84	16	45	483	356	419	483	787	699	445	

Notes:

1. Specifications subject to change.
2. Upon request, reels can be supplied with drum lengths other than shown and with disc sizes in other diameters.
3. Weights shown in chart are for manual rewind models. Add these amounts for power rewind models. Add these amounts for power rewind models (does not apply to FedEx or UPS):

	Net lbs/kg	Ship lbs/kg
Electric	18/8.2	18/8.2
Air	15/6.8	15/6.8
4. When ordering power rewind models, prefix model number with:
 - A** = Air Rewind
 - E** = Electric Rewind

- (Air rewind reels are supplied with control valve and 18" air hose; 12v and 24v DC rewind reels are supplied with switch and solenoid.)
5. For reels with 4 conductors, 45-amp collector assemblies, add 2" to "F" dimension.
 6. Add 2-1/2" to "E" dimension and 1/2" to "G" dimension with assembly "C" roller installed in top wind (TR) position.
 7. **Be sure to check dimensions and weights prior to ordering.**
 8. Some roller options may prohibit the use of our molded chain guard.
 - * Dimensional weight applies when shipped as a parcel package (via FedEx or UPS Ground).
- *** X, Y indicate mounting holes. See page 2.



Cable Selections

Power/Control Cable		
Wire Size (AWG)/ Conductors	Area (Per Conductor)	
	Circ. mils	Sq. mm
12/3 or 12/4	6500	3.3
10/3 or 10/4	10,500	5.3

Connector Options

Straight Blade (3 or 4 blade available)	Twist Lock (3 or 4 blade available)
--	--

Straight blade or twist lock connectors and plugs can be supplied.
Be sure to specify amperage, voltage, and NEMA designation.



Optional External Mounting Brackets

Part No. 9906.0027.
 Add 2-1/2" to the X dimensions shown in the chart.

Series **ELFCR1600/ESFCR1600**

• Electric Cable • On-site Power

To handle live electric cable.

- Chain and sprocket drive powered by an electric gear motor.
- 3-conductor, 30-amp collector assembly with #10 gauge wiring.
- 4-conductor can be specified as an option.



ELFCR1600 extra low profile shown
Choose when **height** and **depth** of reel must be minimized



ELFCR1600 shown
Choose an ELFCR model when **height** of reel must be minimized



ESFCR1600 shown
Choose an ESFCR model when **depth** of reel must be minimized

PARTS DRAWING – ELFCR1600 - ISO 229; ESFCR1600 - ISO 230

Model Number	Cable Capacity of Reel feet m				Approx. Weight Power Rewind lb. kg		Reel Dimensions*** in. mm											
	Ga./No. of Conductors						NET	SHIP	A	B	C	D	E	F	G	H	X	Y
	O.D. in O.D. mm	12/3 .60 15	10/3 .69 18	12/4 .67 17														
ELFCR1624-10-11-6	150 46	100 31	100 31	100 31	47 21	80* 36	21 533	16 406	6 152	14 356	18 457	23.5 597	11.25 286	5.875 149	13.5 343	10.25 260		
ELFCR1636-10-11-6	250 76	200 61	200 61	200 61	53 24	95** 43	33 838	28 711	6 152	14 356	18 457	35.5 902	11.25 286	5.875 149	25.5 648	10.25 260		
ELFCR1616-14-16	150 46	100 31	100 31	100 31	42 19	65* 30	13.5 343	8 203	6 152	15.5 394	20 508	16.3 413	14.5 368	7.5 191	7.75 197	11.75 298		
ELFCR1618-14-16	200 61	125 38	125 38	125 38	43 20	65* 30	15.5 394	10 254	6 152	15.5 394	20 508	18.3 464	14.5 368	7.5 191	7 178	11.75 298		
ELFCR1620-14-16	250 76	175 53	175 53	150 46	44 20	80* 36	17.5 445	12 305	6 152	15.5 394	20 508	20.3 514	14.5 368	7.5 191	9 229	11.75 298		
ELFCR1622-14-16	- -	200 61	200 61	175 53	45 20	80* 36	19.5 495	14 356	6 152	15.5 394	20 508	22.3 565	14.5 368	7.5 191	11 279	11.75 298		
ESFCR1616-14-16	150 46	100 31	100 31	100 31	44 20	58* 26	13.5 346	8 203	6 152	11.5 292	14 356	16.3 413	20.5 521	13.5 343	7.75 197	7.75 197		
ESFCR1618-14-16	200 61	125 38	125 38	125 38	46 21	58* 26	15.5 397	10 254	6 152	11.5 292	14 356	18.3 464	20.5 521	13.5 343	7 178	7.75 197		
ESFCR1620-14-16	250 76	175 53	175 53	150 46	47 21	65* 30	17.5 448	12 305	6 152	11.5 292	14 356	20.3 514	20.5 521	13.5 343	9 229	7.75 197		
ESFCR1622-14-16	- -	200 61	200 61	175 53	48 22	80* 36	19.5 499	14 356	6 152	11.5 292	14 356	22.3 565	20.5 521	13.5 343	11 279	7.75 197		

Notes:

1. Specifications subject to change.
2. Upon request, reels can be supplied with drum lengths other than shown.

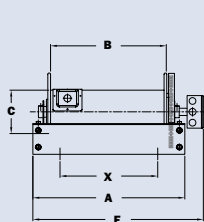
3. 12v and 24v DC rewind reels supplied with switch and circuit breaker.

4. **Be sure to check dimensions and weights prior to ordering.**

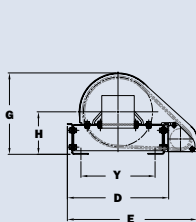
* Dimensional weight applies when shipped as a parcel package (via FedEx or UPS Ground).

** Model ELFCR1636-10-11-6 is shipped via freight only - No UPS or FedEx ground.

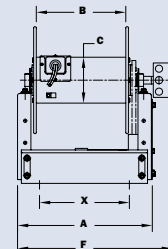
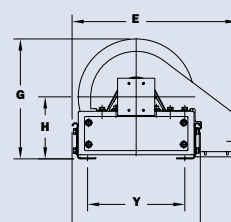
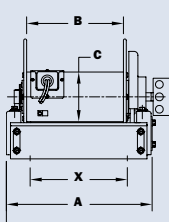
*** X, Y indicate mounting holes. See page 2.



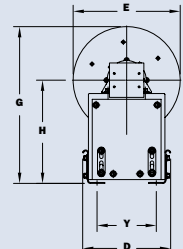
ELFCR1600 extra low profile



ELFCR1600



ESFCR1600



Series **CR16-14-16**

• Portable • On-site Electric Power Cable

Portable Electric Cable Reels

- Compact, lightweight.
- Rugged construction.
- Large capacity.
- 3-conductor collector ring assembly.
- 6-foot power source lead of 12/3 cable.
- 15-amp straight blade plug (15-amp or 20-amp twist lock optional).
- Adjustable cam-lock brake.
- Permanent crank rewind handle.



Optional 15-amp, 3-prong straight blade receptacle recessed in drum.

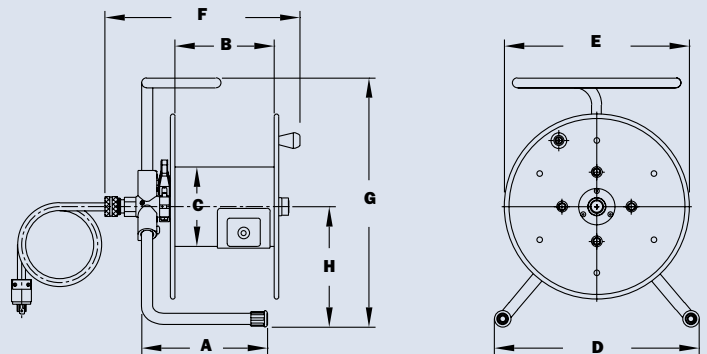
Part No. 9955.0090

PARTS DRAWING – ISO 156

Model Number	Cable Capacity of Reel feet m				Approx. Weight lb. kg		Reel Dimensions in. mm							
	O.D. in O.D. mm	Ga./No. of Conductors			NET	SHIP	A	B	C	D	E	F	G	H
		16/3	14/3	12/3										
CR16-14-16	400 122	200 61	150 46	24 11	58* 26	9.53 242	7.5 190	6 152	15.5 394	14 356	14.5 368	20 508	9.08 231	

Notes:

1. Specifications subject to change.
 2. **Be sure to check dimensions and weights prior to ordering.**
- * Dimensional weight applies when shipped as a parcel package (via FedEx or UPS Ground).



Model **C16-10-11/C20-14-16**

• Extension Cord • Rope • Forestry Fire Hose

No live connections.

Model C16-10-11

- Small, lightweight, durable.
- Adjustable cam-lock drag brake.
- Optional storage drum extension.
- One durable rubber twist tie for cable ends. "DE" models equipped with two ties.

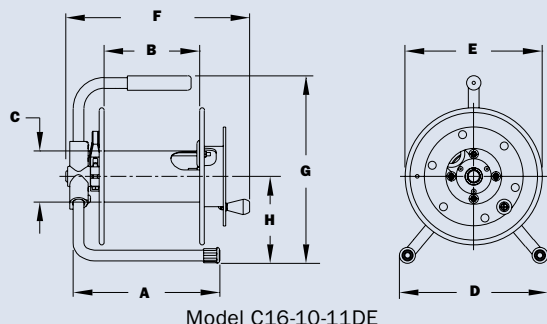
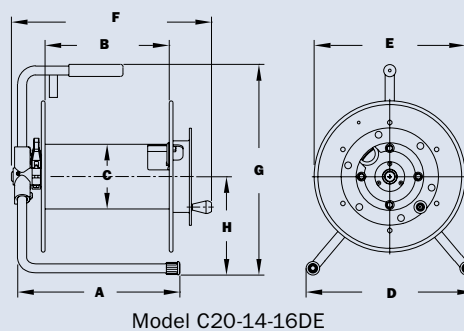
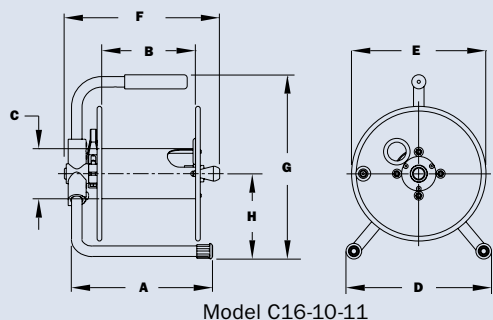
Model C20-14-16

- Strong, portable.
- Adjustable cam-lock drag brake.
- Permanent crank rewind.
- Optional pin lock available.
- Optional storage drum extension.
- One durable rubber twist tie for cable ends. "DE" models equipped with two ties.



PARTS DRAWING – MODEL C16-10-11 – ISO 88; MODEL C20-14-16 – ISO 121

Model Number	Cable Capacity of Reel feet m			Approx. Weight lb. kg		Reel Dimensions in. mm							
	O.D. in. mm	Ga./No. of Conductors				NET	SHIP	A	B	C	D	E	F
		.53 14	.60 15	14/3	12/3								
C16-10-11	125	100	10	20*	11.5	7.5	4	11.88	10.75	12.25	14.75	6.88	
	38	30	5	8	292	191	102	302	273	311	375	175	
C20-14-16	350	250	18	58*	15	12	6	15.5	14	16.75	19	8.62	
	107	76	8	26	381	305	152	394	356	425	483	219	
C16-10-11-DE	130	105	10	20*	11.5	7.5	4	11.88	10.75	14.25	14.75	6.88	
	40	32	5	8	292	191	102	302	273	362	375	175	
C20-14-16-DE	355	255	18	58*	15	12	6	15.5	14	18.75	19	8.62	
	108	78	8	26	381	305	152	394	356	476	483	219	



Notes:

1. Specifications subject to change.
 2. These storage reels have no live connections.
 3. **Be sure to check dimensions and weights prior to ordering.**
- *Dimensional weight applies when shipped as a parcel package (via FedEx or UPS Ground).



LC16-10-11 includes one durable rubber twist tie for cable ends.

Part No. 9949.0082

Series **FN700**

• Utility Air or Breathing Air Hose

To handle 3/16" through 1/2" I.D. hose.

- Heavy-duty spring motor.
- Narrow frame and compact mounting base.
- Non-sparking ratchet assembly.
- Declutching arbor to prevent damage from reverse winding.
- ** Standard inlet: 90° balanced pressure swivel joint, 1/2" female NPT threads. Full flow swivel joint required for breathing air (FLN and FHN).
- ** Standard outlet: 1/2" female NPT threads. Other sizes and threads can be furnished and must be specified.
- FN and FLN700 reels: pressures to 3000 psi (207 bar).
- FHN700 reels: pressures up to 6000 psi (414 bar).
- Standard fluid temperatures from -40° F to +250 °F (-40° C to +121° C).
- Consult factory for other pressures and temperatures.
- 4-way roller assembly is standard. Roller position must be specified.
- Constant tension is available – consult factory.
- Hose stop required. Order Part No. 9922.0200. Must specify hose O.D.



Standard SR configuration shown with optional stainless steel full flow swivel joint for breathing air

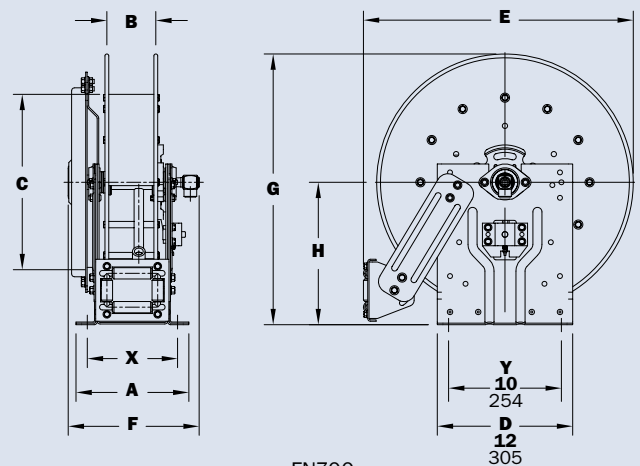
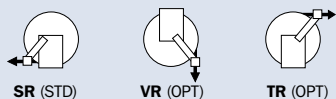
PARTS DRAWING – ISO 79

Model Number	Hose Capacity of Reel feet m					Approx. Weight lb. kg		Roller Assembly Supplied on Standard Models	Reel Dimensions in. mm							
	I.D. in. mm	3/16 5	1/4 6	3/8 10	1/2 13	NET	SHIP		X/Y indicate mounting holes							
	O.D. in. mm	.42 11	.50 13	.64 16	.88 22				A	B	C	E	F	G	H	X
FN716-14-16C	25 8	25 8	30 9	30 9	25 8	52 24	87* 39	N204	10 254	4 102	8 203	18.12 460	11.63 295	16.12 409	9.12 232	8 203
FN716-16-17C	30 9	35 11	35 11	30 9	30 9	55 25	90* 41	N204	10 254	4 102	10.5 267	19 483	11.63 295	17 432	9.12 232	8 203
FN716-19-20-10.5J	35 11	50 15	50 15	50 15	50 15	64 29	99* 45	N204	10 254	4 102	10.5 267	20.75 527	11.63 295	20 508	10.62 270	8 203
FN715-23-24-15.5J	75 23	75 23	75 23	50 15	50 15	79 36	89* 40	N203	9 229	3 76	15.5 394	24 610	10.63 270	24 610	12.62 321	7 178
FN716-23-24-15.5G	100 30	100 30	100 30	65 20	65 20	94 43	109* 49	N204	10 254	4 102	15.5 394	24 610	11.63 295	24 610	12.62 321	8 203
FN718-25-26-15.5G	- -	- -	- -	100 30	100 30	98 44	133 60	N206	12 305	6 152	15.5 394	25.5 648	13.63 346	26 660	13.62 354	10 254

Notes:

1. Specifications subject to change.
2. Reel models and capacities shown are for standard drag applications; for vertical lift or constant tension applications, consult factory.
3. Other sizes, from standard components, available on request.
4. Model Designations:
 FN = Utility air applications
 FLN = Low pressure breathing air applications. Add 1.12" to F dimension.
 FHN = High pressure breathing air systems (6000 psi). Add 1.5" to F dimension.
 For example: **FHN 716-14-16C** is a high pressure breathing air reel.
5. **Be sure to check dimensions and weights prior to ordering.**
NOTICE: A flexible connector must be used between the inlet pipe and the inlet swivel joint.
 * Dimensional weight applies when shipped as a parcel package (via FedEx or UPS Ground).
 ** Stainless steel internals are required for breathing air applications.

Available Roller Positions



FN700

Accessories

- Utility Hose Rollers • Circuit Breakers • Speed Control Accessories

Utility Hose Rollers

Stainless steel rollers and cast alloy mounting blocks for use on the reel, on cabinet door openings, truck platforms, and similar locations where sharp edges may cut or damage hose or cable.

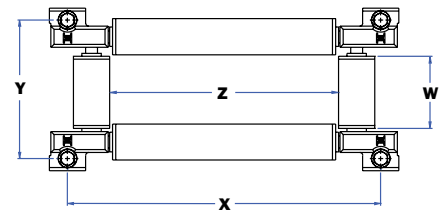
Specifications: 1-1/2" diameter stainless steel rollers, stainless steel rod, Delrin bearings, plated mounting blocks, and fasteners.

To Order: If the rollers are to be mounted on a Hannay reel, just give the model number of the reel. If the rollers are to be mounted separately from the reel, give the horizontal and vertical roller lengths desired (dimensions Z and W), or the horizontal and vertical distances desired between mounting holes (dimensions X and Y).

Also available factory installed on the reel. See Hannay parts list ISO-115 for further information.



Assembly C2



RCB Kits (Reel-Mounted Relay/Circuit Breaker Modules)

RCB kits are compact, weather-resistant kits that consist of a manual reset circuit breaker and a solid state relay (which replaces the solenoid). These kits can be factory installed when ordering reels, leading to significant labor savings and eliminating the need to fabricate and mount a bracket.

RCB kits are designed to work with all rescue reel models (Series 1500, 1600, and 2000). If you already have a reel and would like to install an RCB kit yourself, call Hannay Reels or your local dealer for stand-alone pricing and part numbers.



Speed Control Accessories

Model MD-70

This is a variable speed control, allowing the user full control over the motor speed. Works on both 12v and 24v motors.

Order using Hannay Part No. 9917.0080.



Speed Control Accessories

Model MD-1225S

This is variable speed control for 12v motors that also includes a push-button switch, manual reset 25-amp circuit breaker, and relay.

Order using Hannay Part No. 9917.0070.



Speed Control Accessories

Model MD-12HDSR

Reversing rewind switch with rocker button, variable speed control, and internal circuit protection. Good for use on all Hannay 12V DC motors. Order using Hannay Part No. 9917.0075.



NOTE: Several other speed controls, switches, and reversing switches are available (for 12v, 24v, and 115v). Consult factory for assistance.

Hannay Reels **Sales Policies**

Hannay Reels 3-Year Limited Warranty

Products manufactured by Hannay Reels, Inc. (“Hannay”) are warranted for 3 years from date of shipment when properly installed, maintained, and operated in accordance with Hannay instructions. In no event will Hannay have a warranty obligation for normal wear and tear, or for products that have, at Hannay’s determination, been subjected to accident, abuse, misapplication, improper installation or improper maintenance. Common examples of normal wear and tear would include paint finish, swivel joint seal wear, and switch or motor brush wear.

Hannay makes no warranties, express or implied, other than those included in this warranty statement, and we disclaim any implied warrant of merchantability or fitness for any particular purpose. Hannay will not be liable for any consequential, incidental, or indirect damages from any cause whatsoever.

Failure to use a flexible inlet connection on any live hose reel will void the swivel joint warranty. Failure to use a properly sized circuit breaker with any electric rewind motor will void the electric motor warranty. Failure to use a filter and lubricator on any air rewind motor will void the air motor warranty. Failure to follow all procedures outlined in the Safety Guidelines document will void the warranty.

Components not manufactured by Hannay will be subject to the original manufacturers’ warranties. Examples of such components include: hose and cable, motors, speed controls, and switches, swivel joints and seals, slip ring and brush assemblies.

Equipment which proves to be defective upon our inspection will be replaced free of charge, including freight to the customer. Our responsibility ceases upon delivery to any common carrier and we do not, unless previously instructed, insure shipments beyond point of delivery to such carrier. **No material will be accepted for return without a return goods authorization (RGA).** This warranty extends to the replacement or repair of the reel or part (no labor).

Hannay reserves the right to modify or alter materials, dimensions, design, and construction when necessary to improve the performance of the reel and/or accessories, or to meet delivery requirements.

Notice on Reel Finish

Standard finish on Hannay reels is a high performance enamel paint. Standard color is metallic graphite. Other colors available, please consult factory.

Most of the major components on standard reels are e-coated prior to receiving final topcoat paint finish. This combination of e-coat and enamel topcoat will meet the finish requirements of most customer applications and environments.

In cases where requirements cannot be met with the standard finish, Hannay Reels can coat any model reel with an automotive primer, allowing application of final coating at your facility.

Alternatively, Hannay Reels can provide a quote for matching a customer-provided paint specification. For further information, please contact your Hannay Reels sales engineer and a special paint request form will be sent to you.

For environments where no paint finish is suitable, we offer both aluminum and stainless steel (304 grade) construction on most reel models.

Return Goods Policy

All Hannay reels are built to order. These orders are typically placed into production within 1 business day of receipt. Once production begins, it may not be possible to cancel the order.

To prevent returns because the wrong reels or parts were ordered, please use the Hannay Reels Spec Worksheet (either online or from our Ordering & Accessory Guide) when specifying reels. Be sure to include any size, weight, pressure and/or material compatibility limitations for the application.

In the event that an item does need to be returned for credit, repair or replacement, prior approval must be obtained from Hannay Reels. Upon your request, we will send a Return Goods

Authorization (RGA) form. A signed copy of this form must accompany the material when returned to us, with the RGA number clearly showing on the outside of the box—a label is provided to you that you can print and attach. No product will be accepted for return or credit without an authorized RGA number.

All material must be returned prepaid, unless otherwise noted on our RGA. No return will be accepted that has been damaged due to improper return packaging, tampered with or altered from its original condition. Our restocking and handling fee is a minimum of 25% for standard catalog reels and parts. Custom reels specially built to customer specifications cannot be returned for any reason.

Hannay Reels **Spec Worksheet**

To specify Hannay reels, fill out this simple form and mail, fax or email it to your dealer.
Photocopy this page or download and print from hannay.com

1. Who is the reel for?

Contact			Date / /		
Company			Position		
Street Address					
City		State		Zip	Country
Phone ()		Fax ()		Email	

2. What is the reel for?

HOSE (check one): Storage only Live Single hose Live Dual hose

Inside diameter:	Hose length:	Bend radius:	Flat hose dimensions:
Outside diameter:	Hose weight:	Coupling spacing:	

Type of product handled live application: (check one):

<input type="radio"/> Liquid (specify):	<input type="radio"/> Temperature:	<input type="radio"/> Oxygen/Acetylene:	<input type="radio"/> Other (specify):
<input type="radio"/> Gases (specify):	<input type="radio"/> Pressure:	<input type="radio"/> Hydraulic fluid (specify):	

Fluid path type: (check one): Steel (standard) Aluminum Stainless Steel Other

Reel inlet type: (check one): Swivel joint 90° (standard) Straight

Reel outlet type (riser): Size:

Thread (check one):	<input type="radio"/> National Pipe Thread (NPT)	<input type="radio"/> Joint Industry Committee (JIC)	<input type="radio"/> Other
	<input type="radio"/> National Standard Thread (NST)	<input type="radio"/> British Standard Pipe (BSP)	

CABLE (check one): Live* Storage only

Indicate your custom specifications

*Number of conductors, or wire gauge, required:

*Number of connectors: Cable weight: Cable length:

*Voltage: Outside diameter:

*Amperage (live application only): Bend radius:

3. What features does the reel need? Check type of rewind:

MANUAL REWIND

Disc rewind (hand over hand) Gear-driven crank Direct crank (permanent or removable) Chain-driven crank

POWER REWIND

Spring Air Electric (voltage): Hydraulic

Type of installation (check one): Floor Wall Overhead Vehicle

Temperature Range: Environment:

Accessories (if any): Hose/Cable Stop: Yes No

Roller Assemblies:

Finish: Painted steel (standard) Aluminum Polished Unpolished Stainless steel Polished Unpolished

Check type of installation and roller position for spring reels:

Drag Position SR Lift Position VR Stretch (no roller) Position TR Wall Mount Position TR Recovery (pick-up) (no roller)

Constant tension available on all roller positions

Indicate your custom specifications

4. Specifying Location of Components

Optional Location of Components:

Location of the inlet, outlet riser, and rewind mechanism can be varied to meet your requirements and **must be specified on your order**. Unless otherwise specified, most reels will be shipped as **Right Top Rewind** with the inlet, outlet riser, and rewind mechanism on the operator's right.



RT - Right Top Rewind
Standard - Always look at your reel from this position to determine right hand or left hand.



RB - Right Bottom Rewind



LT - Left Top Rewind



LB - Left Bottom Rewind

Note: Use component location initials as suffix after model number (ie: EF32-23-24 RT)

5. Please note size and/or weight limitations for your installation

SPECIFICATIONS

Depth:

Height:

Width:

Weight:

For custom applications not found in our catalogs, call the Inside Sales Group at 518-797-3791.

Find reels for every need.

Learn more about all of our reels, including specs, drawings, and even how to select the right reels and accessories for your industry.



Ordering & Accessory Guide

- Selecting the right reel
- Reel components
- Available accessories
- How to spec and order reels and accessories
- Ordering options
- Hannay Reels policies



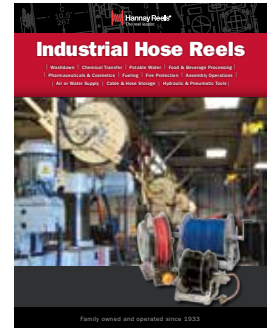
Firefighting Reels

- Compact reels for booster hose
- Large diameter booster reels
- Collapsible hose reels
- Twin reels for hydraulic, electric or air applications
- Dual-agent applications
- Industrial fire protection



Cable Reels

- Electric Tools
- Crane operations
- Portable Lighting
- Live and storage reels
- Video/Broadcast
- Static and Utility grounding reels



Industrial Hose Reels

- High pressure/low pressure reels
- Air/Lube/Grease reels
- Fueling
- Washdown/Power Wash
- Industrial Fire Protection
- Hydraulic/Pneumatic applications
- Hose storage

View all our reel catalogs online at hannay.com



Family owned and operated since 1933, Hannay Reels is the world leader in both OEM and aftermarket applications. Hannay offers thousands of standard hose reel and cable reel models, as well as unmatched custom capabilities. We can easily and affordably customize a reel to meet your exact specifications – built to last, delivered fast. Additional catalogs are available through your local Hannay Reels dealer or online at hannay.com.



553 State Route 143 | Westerlo, New York 12193
Email: reels@hannay.com | hannay.com



All Hannay reels are constructed of quality heavy gauge steel (optional aluminum or stainless steel also available on most models).

Phone: 518-797-3791 | Toll Free: 1-877-467-3357 | FAX: 518-797-3259

Form H-0503-R Rev 8 / WEB 8-23

