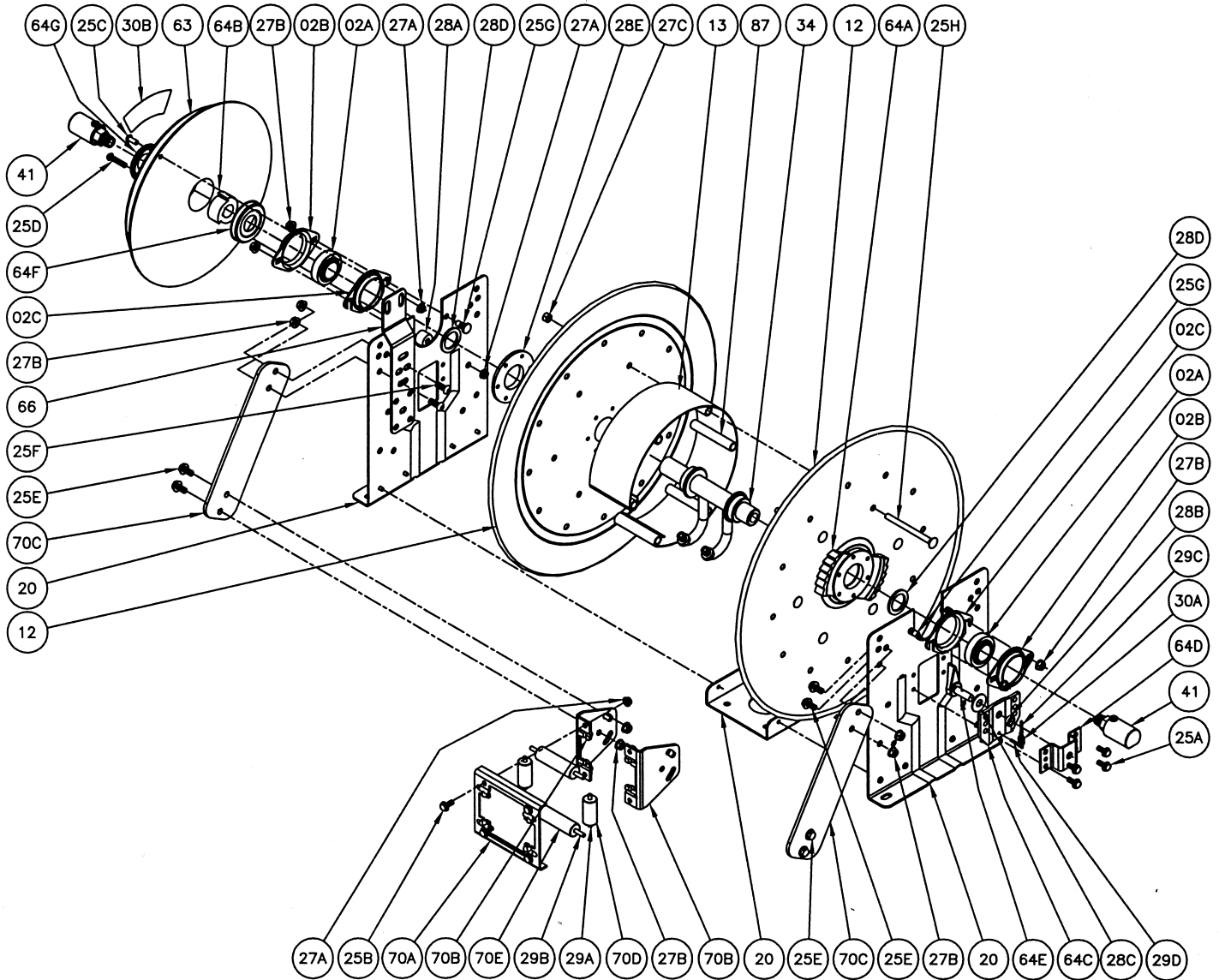


mdi is your Hannay Distributor
 call: (727) 835 - 0674 | fax: (813) 571 - 0422
 www.HannayReelSales.com | sales@HannayReelSales.com



**PARTS LIST
ISO 186
N-400 SERIES**

When ordering parts

**BE SURE TO SPECIFY COMPLETE MODEL NUMBER and SERIAL NUMBER OF REEL.
USE PART NUMBER!**

<u>Drawing No.</u>	<u>Description</u>	<u>PART NUMBER</u>	<u>Quantity</u>
02A	Self-Aligning Bearing Insert.....	9902.1500	2
02B	Self-Aligning Bearing Holder	9902.2800	2
02C	Self-Aligning Bearing Holder (Slotted for N Series)	9902.2801	2
12	19-20, 18-3/4" Dia. Disc.....(Specify Model & Front, Back)	9903.0821	2
12	23-24, 22-3/4" Dia. Disc.....(Specify Model & Front, Back)	9903.1121	2
13	Drum, 8" Dia. - Wrap Around.....(Specify Model)	9905.0128	1
13	Drum, 10-1/2" Dia. - Wrap Around.....(Specify Model)	9905.0138	1
20	Frame Assembly	Specify Model	1
25A	5/16"-18 x 3/4" Thread Cutting Hex Head Bolt.....	9958.0055	4
25B	5/16" x 3/4" Spinlock Bolt	9904.2101	4
25C	5/16"-18 x 1" Hex Socket Button Head Cap Screw.....	9904.9101	1
25D	5/16"-18 x 1-1/2" Hex Socket Button Head Cap Screw.....	9904.9104	1
25E	3/8"-16 x 3/4" Spinlock Bolt	9904.2201	6
25F	3/8"-16 Button Socket Head Cap Screw, 1" Long	9904.9202	2
25G	3/8"-16 x 7/8" Panhead Knurled Bolt.....	9904.4276	4
25H	Carriage Bolt w/Nut	Specify Model	as needed
27A	5/16"-18 Spinlock Nut.....	9904.6100	4
27B	3/8"-16 Spinlock Nut.....	9904.6200	12
27C	3/8"-16 Hex Head Nut.....	9904.5200	6
28A	Spring Mounting Spacer (C&J).....	9922.0033	1
28A	Spring Mounting Spacer (G).....	9922.0032	2
28B	Spacer, Ratchet Pawl	9922.0022	1
28C	1/2" Flat Washer	9954.0008	1
28D	1" Hub Spacer	9954.0021	as needed
28E	Disc Washer.....	9965.0015	1
29A	1/4" Dia. Stainless Steel Rod, 2-3/4" Long.....	9940.0190	2
29B	1/4" Dia. Stainless Steel Rod.....	Specify Model	2
29C	1/8" x 1" Stainless Steel Cotter Pin for Pawl & Pin.....	9922.0024	1
29D	3/16" x 1" Stainless Steel Cotter Pin for N Series Ratchet	9922.0028	1
30A	Ratchet Locking Spring	9922.0008	1
30B	Spring Under Tension Caution-Decal	9922.0010	1
34	1/2" Hub Assy, Dual Welded Barstock w/ Oxy/Acet Risers.....(Specify Model)	9901.0671	1
41	1/2" 90 Degree MxF Swivel Joint For Oxy/Acet Service	9927.8157	2
63	Spring Motor, C	9921.0018	1
63	Spring Motor, G	9921.0021	1
63	Spring Motor, J	9921.0030	1
64A	Ratchet Wheel	9922.0015	1
64B	Spring Arbor	9922.0002	1
64C	Ratchet Pawl Housing, Inner (N Series).....	9922.0027	1
64D	Ratchet Pawl Housing, Outer (N Series).....	9922.0026	1
64E	Pawl & Pin	9922.0020	1
64F	Cap-Plug for Spring (Inner Side)	9922.0036	1
64G	Cap-Plug for Spring (Outer Side)	9922.0041	1
66	Spring Mounting Bracket (N Series).....	9922.0050	1
70A	Roller Bracket Frame.....	Specify Model	1
70B	N Series Roller Mounting Bracket	9940.0171	2
70C	N Series Roller Arm Only.....(Specify Model)	9941.0030	2
70D	1" Dia. x 2" Long Roller for Stamped Housing	9940.0180	2
70E	1" Dia. Roller for Stamped Housing.....	Specify Model	2
87	3/8" Spacer Pipe.....(Specify Model)	9904.3200	as needed