

C  
10.5"  
267



**Hannay Reels®**  
The reel leader.

# Welding Reels

| Mobile and Fixed Installations | Arc Welding | Gas Welding | Cutting Operations |



**You Can't Buy  
A Better Reel.**

Family owned and operated since 1933

# CONTENTS

Hannay hose reels come in all sizes and capacities.

Reel Type	Page
<b>Arc Welding Reels</b>	<b>3-6</b>
Model WCR11-17-19	3
Series SWCR/WCR	4-5
Series TWCR	6
<b>Gas Welding Reels</b>	<b>7-9</b>
Series N400	7
Series 2400	8
Series G2400	9
<b>Welding Hose &amp; Cable Specifications</b>	<b>10</b>
<b>Hannay Reels Spec Worksheet</b>	<b>11</b>



## Only one reel bonds quality and value.

When it comes to safety and efficiency, you can count on Hannay Reels. Used worldwide, our durable, dependable reels help your operation run smoothly – and reduce workplace accidents – by keeping hoses and cables organized and off the floor.

We offer the widest variety of arc and gas welding reels in the industry. Our high quality reels are built to last and engineered specifically for welding – never retrofitted to the job – so you can expect unsurpassed fit and function.

### Uses:

- Mobile and fixed installations
- Arc welding
- Gas welding
- Cutting operations

# Model WCR11-17-19

• Manual Rewind • Portable Reel

**To handle #2 through 4/0 cable to 400 amps.**

- For use with single-conductor electrode cable or for grounding lead.
- 400-amp rotary electrical device.
- Rugged portable reel with carrying handle.
- Instant use with any cable length unwound.
- Quick connection to your welder.
- Manual rewind (permanently attached knob).
- Adjustable friction brake.



Standard configuration shown



**Protective Ground Lug Boot**

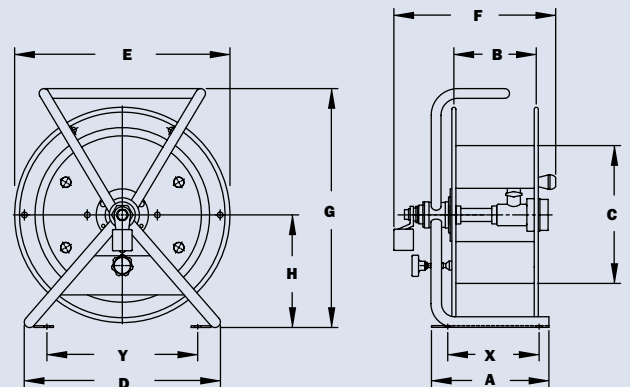
Part No. 9955.0202  
Standard on reel

**PARTS DRAWING – ISO 110**

Model Number	Cable Capacity of Reel feet m							Approx. Weight lb. kg		Reel Dimensions*** in. mm									
	Gauge of Cable									A	B	C	D	E	F	G	H	X	Y
	O.D. in. O.D. mm	#2 .50 10	#1 .58 15	1/0 .62 16	2/0 .67 17	3/0 .72 18	4/0 .81 21	NET	SHIP										
<b>WCR11-17-19</b>	<b>200</b> 61	<b>150</b> 46	<b>100</b> 30	<b>75</b> 23	<b>75</b> 23	<b>50</b> 15	<b>24</b> 11	<b>58*</b> 26	<b>9.25</b> 235	<b>6</b> 152	<b>10.5</b> 267	<b>15.5</b> 394	<b>16.5</b> 419	<b>13</b> 330	<b>18.81</b> 478	<b>8.69</b> 221	<b>7</b> 178	<b>11.5</b> 292	

**Notes:**

1. Specifications subject to change.
  2. **Be sure to check dimensions and weights prior to ordering.**
  3. For welding hose and cable specifications see page 10.
  4. **Finish:** Refer to Ordering & Accessory catalog page 19.
- \* Dimensional weight applies when shipped as a parcel package (via FedEx or UPS Ground).  
\*\*\*X, Y indicate mounting holes. See page 10.





## Series **SWCR/WCR**

• Spring, Power or Manual Rewind • Arc Welding

### To handle #2 through 4/0 cable to 400 amps.

- For use with single-conductor electrode cable or grounding lead.
- 400-amp rated rotary electrical device.
- Instant use with any cable length unwound.
- Quick connection to your welder.
- Easy access and greaseable zerk fitting.

#### SWCR

- Non-sparking ratchet assembly.
- Declutching arbor is provided to prevent damage from reverse winding.
- A cable stop should be used.
- Four-way roller assembly. Roller position must be specified.

#### WCR

- Gear-driven crank rewind, chain and sprocket powered by an electric, hydraulic or compressed air motor or spring rewind.
- Auxiliary rewind and pinion brake standard.
- Chain guards are available, must be specified.
- Rollers and roller mounting brackets are accessory items. Specify roller position.



**Series SWCR**  
Shown with optional  
cable and stop



**Series WCR**  
Air Rewind AWCR  
Standard configuration shown



#### Protective Ground Lug Boot

Part No. 9955.0202  
Standard on reel

# Series SWCR/WCR

• Spring, Power or Manual Rewind • Arc Welding

## PARTS DRAWING – SWCR ISO 94; WCR ISO 188

Model Number For power rewind see Note 4	Cable Capacity of Reel feet m						Approx. Weight Crank/Spring Rewind lb. kg see Note 3		Std. Roller Assy.	Reel Dimensions*** in. mm											
	O.D. in. O.D. mm	Gauge of Cable						NET		SHIP	A	B	D	E	F CRANK	F PWR.	F SPRING	G	H	X	Y
		#2	#1	1/0	2/0	3/0	4/0														
SWCR716-23-24-15.5B	-	-	-	-	-	40	81	116	R204	9.25	3	23.25	24.38	-	-	11	23.88	12.5	4.5	20	
	-	-	-	-	-	12	37	53		235	76	591	619	-	-	279	607	318	114	508	
SWCR716-23-24-15.5G	85	85	60	60	60	-	85	120	R204	9.25	3	23.25	24.38	-	-	11	23.88	12.5	4.5	20	
	26	26	18	18	18	-	39	54		235	76	591	619	-	-	279	607	318	114	508	
SWCR716-25-26-15.5B	-	-	-	-	60	50	94	126	R204	9.25	3	25	26.12	-	-	11	25.88	13.5	4.5	21.75	
	-	-	-	-	18	15	41	57		235	76	635	663	-	-	279	657	343	114	552	
SWCR716-25-26-15.5A	-	-	100	-	-	-	106	141	R205	10.25	3	25	26.12	-	-	12	25.88	13.5	5.5	21.75	
	-	-	30	-	-	-	48	64		260	76	635	663	-	-	305	657	343	140	552	
WCR16-19-21	-	275	200	200	150	150	71	106	-	13	7.5	20.5	21.88	15	19.75	-	21.5	12.12	7.75	16.75	
	-	84	61	61	46	46	32	48		330	191	521	556	381	502	-	546	308	197	425	
WCR16-23-24	-	-	-	-	300	200	78	113	-	13	7.5	20.5	23	15	19.75	-	23.5	12.12	7.75	16.75	
	-	-	-	-	91	61	35	51		330	191	521	584	381	502	-	597	308	197	425	

**Notes:**

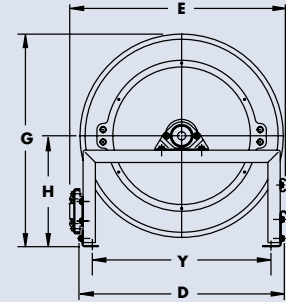
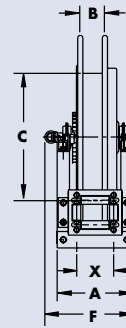
- Specifications subject to change.
- Upon request, reels can be supplied with drum lengths other than shown and with disc sizes in other diameters.
- Weights shown in chart are for crank or spring rewind models. ADD these amounts for power rewind models (Series WCR):

	Net lbs/kg	Ship lbs/kg
Electric	40/18.1	40/18.1
Hydraulic	20/9.1	20/9.1
Air	20/9.1	20/9.1

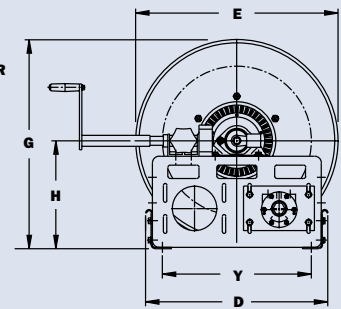
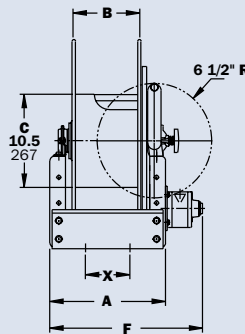
- When ordering power rewind Series WCR, prefix model number with:  
**A** = Air Rewind  
**EP** = Electric Rewind  
**HD** = Hydraulic Rewind

(Air rewind reels are supplied with control valve and 18" air hose; 12v and 24v DC rewind reels are supplied with switch and solenoid; 115v AC rewind reels require double pole single throw switch which is not supplied, but can be ordered separately, hydraulic rewind reels are not supplied with control valve.)

- Be sure to check dimensions and weights prior to ordering.**
  - For welding hose and cable specifications see page 10.
  - Finish:** Refer to Ordering & Accessory catalog page 19.
- \*\*\* X, Y indicate mounting holes. See page 10.



Series SWCR



Series WCR

**Available Roller Positions**



SR (STD)



VR (OPT)



TR (OPT)



TR (Wallmount)

## Series **TWCR**

• Manual Rewind • Twin Arc Welding

### To handle #1 through 4/0 cable to 400 amps.

- Designed to handle both grounding and arc welding leads on the same reel unit.
- Two independent spools to hold separate lengths of welding cable.
- 400-amp rotary electrical device for instant and constant use.
- Instant use with any cable length unwound.
- Gear-driven crank rewind with a removable handle.
- Dual pinion brakes.
- Rollers and roller mounting brackets are accessory items. Specify roller position.



Standard configuration shown



#### Protective Ground Lug Boot

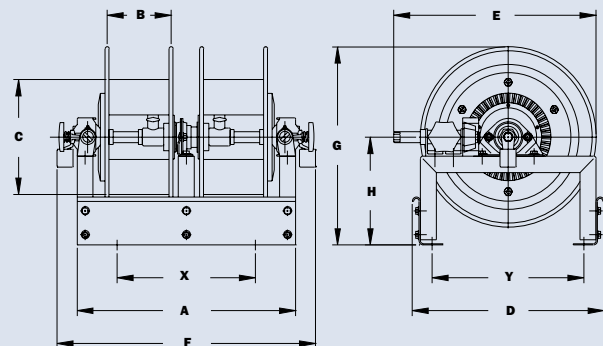
Part No. 9955.0202  
Standard on reel

### PARTS DRAWING – ISO 185

Model Number	Cable Capacity of Reel feet m					Approx. Weight Crank Rewind lb. kg		Reel Dimensions*** in. mm										
	O.D. in. O.D. mm	Gauge of Cable					NET	SHIP	A	B	C	D	E	F	G	H	X	Y
		#1	1/0	2/0	3/0	4/0												
<b>TWCR 12-17-18</b>	-	50	50	45	40	78	113	16.5	4	10.5	18	20.75	21	18.12	9.88	9	14.25	
	-	15	15	14	12	35	51	419	102	267	457	527	533	460	251	229	362	
<b>TWCR 14-17-18</b>	125	100	100	80	50	80	115	20.5	6	10.5	18	20.75	25	18.12	9.88	13	14.25	
	38	30	30	24	15	36	52	521	152	267	457	527	635	460	251	330	362	
<b>TWCR 12-19-20</b>	150	100	100	60	60	82	117	16.5	4	10.5	18.5	21	21	19.75	10.38	9	14.75	
	46	30	30	18	18	37	53	419	102	267	470	533	533	502	264	229	375	
<b>TWCR 14-19-20</b>	-	150	150	100	80	84	119	20.5	6	10.5	18.5	21	25	19.75	10.38	13	14.75	
	-	46	46	30	24	38	54	521	152	267	470	533	635	502	264	330	375	

#### Notes:

1. Specifications subject to change.
  2. **Be sure to check dimensions and weights prior to ordering.**
  3. For welding hose and cable specifications see page 10.
  4. Ship via freight only. UPS or FedEx shipping is not available on this series reel.
  5. **Finish:** Refer to Ordering & Accessory catalog page 19.
- \*\*\* X, Y indicate mounting holes. See page 10.



# Series N400

• Oxy/Fuel Welding • Spring Rewind

**To handle twin 1/4" or 3/8" I.D. welding hose.**

- Heavy-duty spring motor.
- Non-sparking ratchet assembly.
- Declutching arbor to prevent damage from reverse winding.
- Standard inlets: 90° ball bearing swivel joints, 1/2" female NPT threads. Oxy/acet brass inlet adapters are available.
- Standard outlets: male 9/16"-18 threads, right-hand for oxygen, left-hand for gas.
- Pressures to 300 psi (21 bar).
- Temperatures from -40°F to +200°F (-40°C to +93°C).
- Type of gas used must be specified.
- 4-way roller assembly. Roller position must be specified.
- Hose stop is required.



Optional hose and hose stop in the optional "TR" position shown

**PARTS DRAWING – ISO 186**

Model Number	Hose Capacity of Reel feet m			Approx. Weight lb. kg		Standard Roller Assy.	Reel Dimensions*** in. mm							
	I.D. in. mm	1/4 6	3/8 9	NET	SHIP		A	B	C	E	F	G	H	X
	O.D. in. mm	.53 13	.66 17											
N416-17-18-8L		2/50	–	64	71*	N204	10	4	8	19.5	15.12	17.5	9.13	8
		2/15	–	29	32		254	102	203	495	368	445	232	203
N416-19-20-8L		–	2/50	68	75*	N204	10	4	8	20.75	15.12	20	10.62	8
		–	2/15	31	34		254	102	203	527	368	508	270	203
N416-19-20-10.5C		2/25	2/25	70	77*	N204	10	4	10.5	20.75	15.12	20	10.62	8
		2/8	2/8	32	35		254	102	267	527	368	508	270	203
N416-19-20-8J		2/50	2/50	74	83*	N204	10	4	8	20.75	15.12	20	10.62	8
		2/15	2/15	34	38		254	102	203	527	368	508	270	203
N417-23-24-10.5G		2/75	2/75	94	115*	N205	11	5	10.5	23.75	16.12	24	12.62	9
		2/23	2/23	43	52		279	127	267	603	394	610	320	229
N417-25-26-10.5G		2/100	2/100	97	132	N205	11	5	10.5	25.75	16.12	26	13.62	9
		2/30	2/30	43	52		279	127	267	641	394	660	346	229

**Notes:**

**A hose stop is necessary to keep spring from unwinding.**

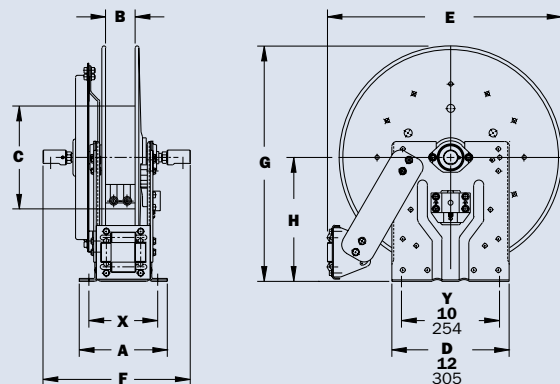
1. Specifications subject to change.
2. Reel models and capacities shown are for standard drag applications; for vertical lift applications, consult factory.
3. Other sizes, from standard components, available on request.
4. **Finish:** Refer to Ordering & Accessory catalog page 19.

5. **Be sure to check dimensions and weights prior to ordering.**

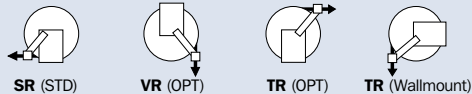
**NOTICE:** A flexible connector must be used between the inlet pipe and the inlet swivel joint.

\* When shipped as a parcel package (via FedEx or UPS Ground), joints loose. Net weight plus carton weight.

\*\*\* X, Y indicate mounting holes. See page 10.



**Available Roller Positions**



## Series 2400

• Manual (MX) or Power Rewind • Oxy/Fuel Welding

### To handle twin 1/4" through 3/8" welding hose.

- MX chain-driven crank rewind or powered by a compressed air or hydraulic motor.
- MX rewind reels supplied with a pinion brake.
- Power reels not supplied with a brake.
- Standard inlets: 90° ball bearing swivel joints with 1/2" female NPT threads. Oxy/acet brass inlet adapters are available.
- Standard outlets are male 9/16"-18 threads. Right-hand for oxygen, left-hand for gas.
- Pressures to 300 psi (21 bar).
- Temperatures from -40°F to +200°F (-40°C to +93°C).
- Type of gas used must be specified.



**Series MX2400**  
Standard configuration  
shown with MX rewind

**Series A2400**  
Standard configuration  
shown with air rewind

### Model A2400

- Rollers and roller mounting brackets are accessory items. Specify roller position.

### PARTS DRAWING – ISO 187 POWER; ISO 213 MANUAL (MX)

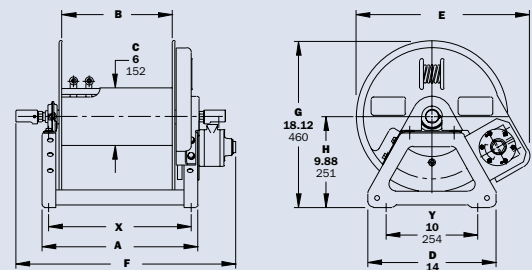
Model Number For power rewind see Note 5	Hose Capacity of Reel feet m			Approx. Weight lb. kg		Reel Dimensions*** in. mm						
	I.D. in. mm	1/4 6	3/8 9	NET	SHIP	A	B	E MX	E POWER	F MX	F POWER	X
	O.D. in. mm	.53 13	.66 17									
<b>MX2414-17-18</b>		<b>2/100</b>	<b>2/75</b>	<b>31</b>	<b>54*</b>	<b>11</b>	<b>6</b>	<b>18.5</b>	<b>19</b>	<b>28.5</b>	<b>18.75</b>	<b>9.5</b>
		2/30	2/23	14	24	279	152	470	483	724	476	241
<b>MX2416-17-18</b>		<b>2/150</b>	<b>2/100</b>	<b>32</b>	<b>54*</b>	<b>13</b>	<b>8</b>	<b>18.5</b>	<b>19</b>	<b>30.5</b>	<b>20.75</b>	<b>11.5</b>
		2/46	2/30	15	24	330	203	470	483	775	527	292
<b>MX2420-17-18</b>		-	<b>2/150</b>	<b>34</b>	<b>68*</b>	<b>17</b>	<b>12</b>	<b>18.5</b>	<b>19</b>	<b>34.5</b>	<b>24.75</b>	<b>15.5</b>
		-	2/46	15	31	432	305	470	483	876	629	394
<b>MX2426-17-18</b>		-	<b>2/200</b>	<b>36</b>	<b>84*</b>	<b>23</b>	<b>18</b>	<b>18.5</b>	<b>19</b>	<b>40.5</b>	<b>30.75</b>	<b>21.5</b>
		-	2/61	16	38	584	457	470	483	1029	781	546

#### Notes:

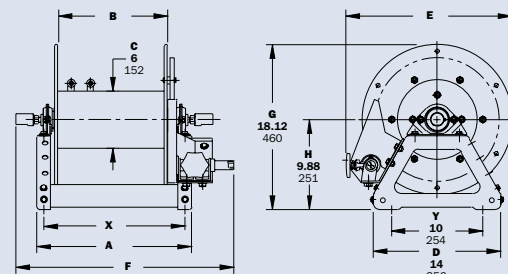
- Specifications subject to change.
- Upon request, reels can be supplied with drum lengths other than shown and with disc sizes in other diameters.
- Weights shown in chart are for crank rewind models. ADD these amounts for power rewind models:
 

	Net lbs/kg	Ship lbs/kg
Hydraulic	15/6.8	15/6.8
Air	15/6.8	15/6.8
- Dimension "F" is the overall length of standard model reels. On crank rewind models, the dimension shown is with the crank in rewind position. Reels require 2" clearance to remove crank handle.
- When ordering power rewind models replace MX prefix with:
  - A** = Air Rewind
  - HD** = Hydraulic Rewind
 (Air rewind reels are supplied with control valve and 18" air hose; hydraulic rewind reels are not supplied with control valve.)

- Be sure to check dimensions and weights prior to ordering.**
  - For welding hose and cable specifications see page 10.
  - Some roller options may prohibit the use of our molded chain guard.
  - See page 9 for optional External Mounting Brackets.
  - Finish:** Refer to Ordering & Accessory catalog page 19.
- NOTICE:** A Flexible Connector must be used between the inlet pipe and the inlet swivel joint.
- \* Dimensional weight may apply when shipped as a parcel package (via FedEx or UPS Ground).
- \*\*\* X, Y indicate mounting holes. See page 10.



Power Rewind



Manual MX



# Series **G2400**

• Manual Rewind • Oxy/Fuel Welding

**To handle twin 1/4" through 3/8" I.D. hose.**

- Gear-driven crank rewind with pinion brake.
- Standard inlets: 90° ball bearing swivel joints 1/2" female NPT threads. Oxy/acet brass inlet adapters are available.
- Standard outlets are male 9/16"-18 threads. Right-hand for oxygen, left-hand for gas.
- Pressures to 300 psi (21 bar).
- Temperatures from -40°F to +200°F (-40°C to +93°C).
- Type of gas used must be specified.



Standard gear-driven crank rewind with optional finish shown.



**Optional external mounting brackets**

Part No. 9906.0025.  
Add 2-1/2" to the X dimensions shown in the chart.

**PARTS DRAWING – ISO 205**

Model Number	Hose Capacity of Reel feet m			Approx. Weight Crank Rewind lb. kg		Reel Dimensions*** in. mm			
	I.D. in. mm	1/4 6	3/8 10	NET	SHIP	A	B	F	X
	O.D. in. mm	.53 14	.66 17						
<b>G2416-17-18-8</b>		<b>2/150</b> 2/46	<b>2/100</b> 2/30	<b>40</b> 15	<b>54*</b> 24	<b>13</b> 330	<b>8</b> 203	<b>21</b> 533	<b>11.5</b> 292
<b>G2420-17-18-8</b>		–	<b>2/150</b> 2/46	<b>42</b> 18	<b>68*</b> 31	<b>17</b> 432	<b>12</b> 305	<b>25</b> 635	<b>15.5</b> 394
<b>G2426-17-18-8</b>		–	<b>2/200</b> 2/61	<b>44</b> 19	<b>84*</b> 38	<b>23</b> 584	<b>18</b> 457	<b>31</b> 787	<b>21.5</b> 546

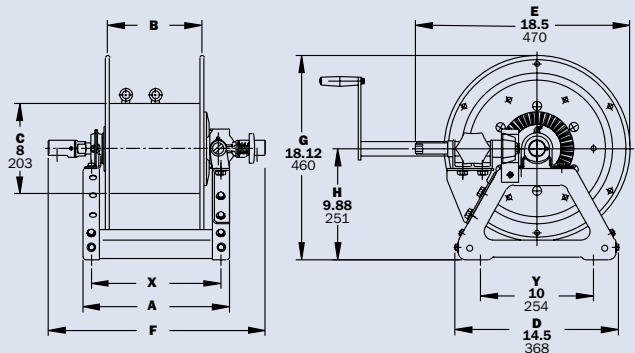
**Notes:**

1. Specifications subject to change.
2. Upon request, reels can be supplied with drum lengths other than shown.
3. **Be sure to check dimensions and weights prior to ordering.**
4. For welding hose and cable specifications see page 10.
5. Some roller options may prohibit the use of our molded chain guard.
6. **Finish:** Refer to Ordering & Accessory catalog page 19.

**NOTICE:** A Flexible Connector must be used between the inlet pipe and the inlet swivel joint.

\* When shipped as a parcel package (via Fed-Ex or UPS Ground).

\*\*\* X, Y indicate mounting holes. See page 10.



# Welding Hose & Cable **Specifications**

## Welding Hose

Our oxygen/acetylene grade R hose assemblies with inside diameters of 1/4" and 3/8" have working pressures of 200 psi (14 bar), working temperatures of -40°F to +200°F (-40°C to +93°C), and have an EPDM core and cover with one textile braid reinforcement. This hose is designed for oxygen/acetylene only. Grade T oxygen/acetylene, propane, or M.A.P.P. hose is also available.

**For hose assembly details and pricing, consult your Hannay dealer or factory.**

## WELDING AND GROUNDING CABLE

Wire Size (AWG)	Area (Per Conductor)	
	Circ. Mills	Sq. mm
#2	66,500	33.7
#1	84,000	42.6
#1/0	105,600	53.5
#2/0	133,100	67.4
#3/0	167,800	85.0
#4/0	211,600	107.2



Mounting Hole Sizes	
<b>N Series Reels</b>	7/16" wide x 7/8" long slot running front to back
<b>Pressed Frame Reels and Channel Framed Reels</b>	7/16" wide x 7/8" long slot running left to right
<b>Series 2000</b>	13/32" round holes

# Hannay Reels **Spec Worksheet**

To specify Hannay reels, fill out this simple form and mail, fax or email it to your dealer.  
Photocopy this page or download and print from hannay.com

## 1. Who is the reel for?

Contact		Date / /	
Company		Position	
Street Address			
City	State	Zip	Country
Phone ( )	Fax ( )	Email	

## 2. What is the reel for?

**HOSE** (check one):  Storage only  Live Single hose  Live Dual hose

Inside diameter:	Hose length:	Bend radius:	Flat hose dimensions:
Outside diameter:	Hose weight:	Coupling spacing:	

### Type of product handled live application: (check one):

<input type="radio"/> Liquid (specify):	<input type="radio"/> Temperature:	<input type="radio"/> Oxygen/Acetylene:	<input type="radio"/> Other (specify):
<input type="radio"/> Gases (specify):	<input type="radio"/> Pressure:	<input type="radio"/> Hydraulic fluid (specify):	

**Fluid path type:** (check one):  Steel (standard)  Aluminum  Stainless Steel  Other

**Reel inlet type:** (check one):  Swivel joint 90° (standard)  Straight

**Reel outlet type (riser):** Size:

<b>Thread (check one):</b>	<input type="radio"/> National Pipe Thread (NPT)	<input type="radio"/> Joint Industry Committee (JIC)	<input type="radio"/> Other
	<input type="radio"/> National Standard Thread (NST)	<input type="radio"/> British Standard Pipe (BSP)	

**CABLE** (check one):  Live\*  Storage only

\*Number of conductors, or wire gauge, required:

\*Number of connectors: Cable weight: Cable length:

\*Voltage: Outside diameter:

\*Amperage (live application only): Bend radius:

## 3. What features does the reel need? Check type of rewind:

**MANUAL REWIND**

Disc rewind (hand over hand)  Gear-driven crank  Direct crank (permanent or removable)  Chain-driven crank

**POWER REWIND**

Spring  Air  Electric (voltage):  Hydraulic

**Type of installation (check one):**  Floor  Wall  Overhead  Vehicle

Temperature Range: Environment:

Accessories (if any): Hose/Cable Stop:  Yes  No

Roller Assemblies:

**Finish:**  Painted steel (standard)  Aluminum  Polished  Unpolished  Stainless steel  Polished  Unpolished

### Check type of installation and roller position for spring reels:

Drag Position SR  Lift Position VR  Stretch (no roller) Position TR  Wall Mount Position TR  Recovery (pick-up) (no roller)

Constant tension available on all roller positions

Indicate your custom specifications

## 4. Specifying Location of Components

### Optional Location of Components:

Location of the inlet, outlet riser, and rewind mechanism can be varied to meet your requirements and **must be specified on your order**. Unless otherwise specified, most reels will be shipped as **Right Top Rewind** with the inlet, outlet riser, and rewind mechanism on the operator's right.



**RT - Right Top Rewind**  
Standard - Always look at your reel from this position to determine right hand or left hand.



**RB - Right Bottom Rewind**



**LT - Left Top Rewind**



**LB - Left Bottom Rewind**

Note: Use component location initials as suffix after model number (ie: A2420-17-18 LT)

## 5. Please note size and/or weight limitations for your installation

SPECIFICATIONS

Depth: \_\_\_\_\_

Height: \_\_\_\_\_

Width: \_\_\_\_\_

Weight: \_\_\_\_\_



**You Can't Buy A Better Reel.**

# Find reels for every need.

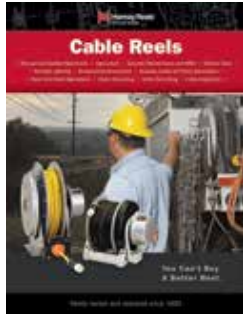
Learn more about all of our reels, including specs, drawings and even how to select the right reels and accessories for your industry.



## Ordering & Accessory Guide

### Learn more about:

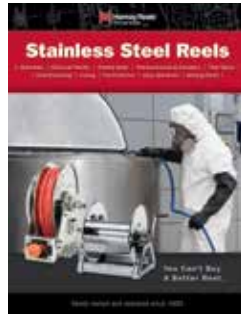
- Selecting the right reel
- Reel components
- Available accessories
- How to spec and order reels and accessories
- Ordering options
- Hannay Reels policies



## Cable Reels

### Find out more about:

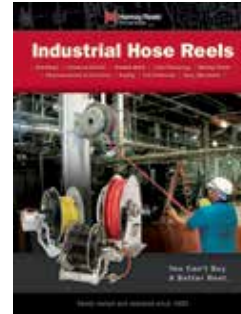
- Manual and power rewind reels
- Storage reels
- Reels for live electric cable
- Portable reels
- Static and truck grounding reels



## Stainless Steel Reels

### Comprehensive information on:

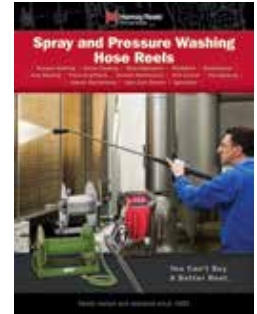
- Spring rewind reels
- Manual rewind reels
- Compact manual rewind reels
- Fuel reels



## Industrial Hose Reels

### Includes specs and information on:

- High pressure spring rewind reels
- Compact manual rewind reels
- Power rewind reels
- Portable storage reels
- Hose assemblies



## Spray and Pressure Washing Hose Reels

### Details and specs for:

- Pressure wash reels
- Manual, spring, and remote controlled power rewind reels
- Portable hose reels
- Small frame model reels



Family owned and operated since 1933, Hannay Reels is the world leader in both OEM and aftermarket applications. Hannay offers thousands of standard hose reel and cable reel models, as well as unmatched custom capabilities. We can easily and affordably customize a reel to meet your exact specifications – built to last, delivered fast.



All Hannay reels are constructed of quality heavy gauge steel (optional aluminum or stainless steel also available on most models).